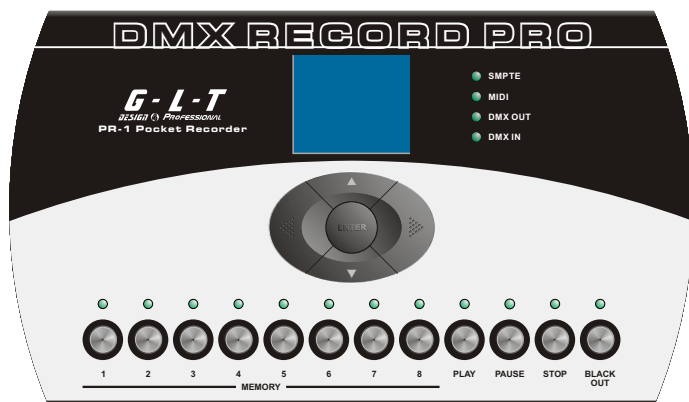


G-L-T **DESIGN 4 PROFESSIONAL**

PR-1 Pocket Recorder



User Instructions

It is important to read this instruction book prior to installing or using your new product for the first time.

Contents

General Introduction.....1

- Descriptions
- Features
- Physical Dimensions

Technical Specifications.....2

Overview.....3~6

- Front View.....3~4
- Left View.....5
- Right View.....6

Operation Guide.....7~13

- 1) Select Word Mode.....7
- 2) Set User parameters.....7~13
- 3) Communications.....13
- 4) Program Updating.....13

General Instructions

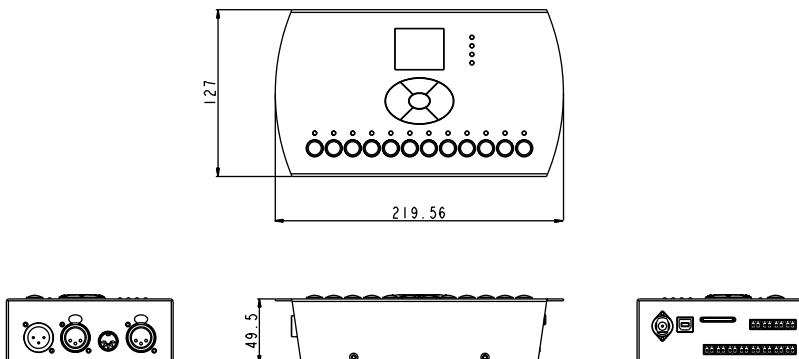
Descriptions

Thanks for you purchasing GLT PR-1 DMX Recorder Pro. The present content pretends to make a description of the technical features, Specifications and operation,etc.

Features

- 128x160 Characters color LCD display
- Up to 8 memories with individual Master setting allows users to assign Scenes, Chases or Shows.
- Consisting of 5 operation modes: Manual control, Real-time trigger, SMPTE/MIDI time code trigger, DMX trigger and DMX monitor
- Over 5 hours recording time for Show and up to 4 different recording modes available, including Manual, Auto, Semi-Auto and Smart
- Allows to record SCENE, create CHASE and set Fade/Hold time for every step of the CHASE.
- Password lock function
- Standard DMX-512(1990) protocol compatible
- 3pin XLR DMX male/female connector, SD card port, USB port, 3pin SMPTE port and 5pin MIDI input
- External Dry Contact available
- Programme updatable

Physical Dimensions



Technical Specification

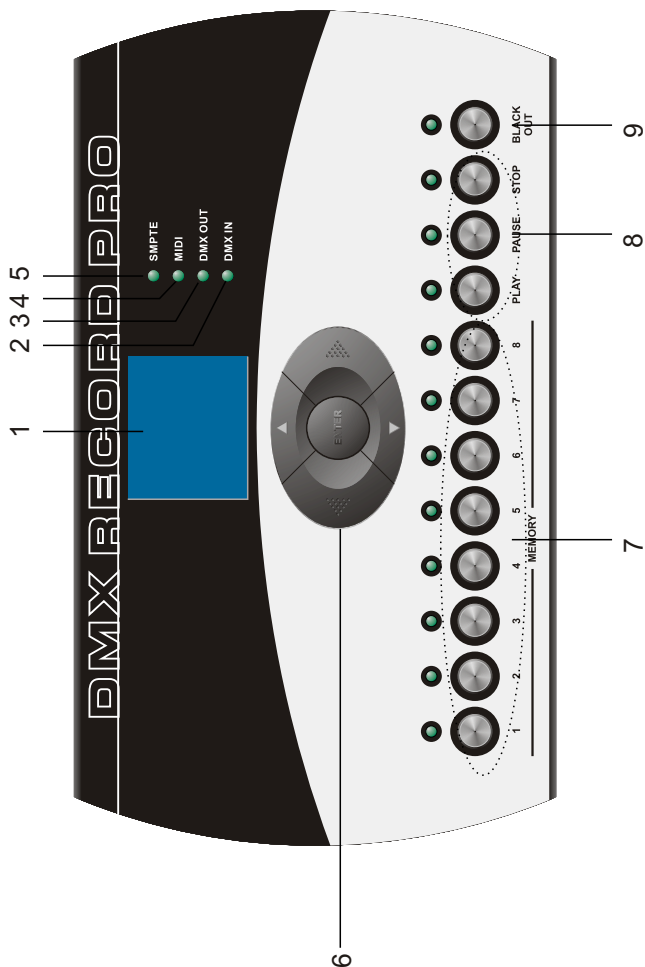
Specifications

POWER INPUT	DC9-12V, 500mAMin
CONNECTOR	3-pin XLR connectors for DMX in/out, USB port for communicating with PC, 3pin SMPTE input, 5pin MIDI input
LCD DISPLAY	128x160 Characters
COMPLIANT PROTOCOLS	Standard DMX-512(1990) and
HOUSING	Metal sheet with powder finishing
LISTING	CE certified
INGRESS PROTECTING RATING	IP20
OPERATING TEMPERATURE	-10 degC to +50 degC
STORAGE TEMPERATURE	-20 degC to +70 degC
DIMENSIONS	220(L) x 127(W) x 50(H)mm
WEIGHT	1kg

Improvements and changes in specifications and design to this manual and unit may be made at any time without prior notice.

Overview

Front View



Overview

Front View

1. 128x160 color LCD Display

Shows the current activities.

2. DMX IN Indicator

This LED blinks when DMX signal inputs.

3. DMX OUT Indicator

This LED blinks when sending DMX signal.

4. MIDI Indicator

This LED will blink when an available MIDI time received in SMPTE/MIDI Trigger mode

5. SMPTE Indicator

This LED will blink when an available SMPTE time received in SMPTE/MIDI Trigger mode.

6. LEFT/RIGHT/UP/DOWN/OK Button

Used to select function.

7. Memory 1~8 Button

Used to select the memory you want to play in Manual mode.

8. PLAY/PAUSE/STOP Button

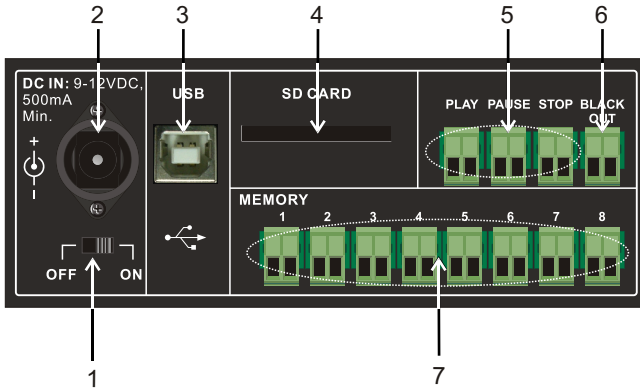
Used to select the running status of memory in Manual mode.

9. BLACK OUT Button

Controls DMX output in Manual mode.

Overview

Left View



1. ON/OFF

Power On/Off the unit

2. DC In

Connects the power source of DC 9~12V

3. USB Port

Connects to PC for communications and program updating

4. SD Card Port

Use to insert SD card for data transmission

5. PLAY/PAUSE/STOP contact point

Connects the external contact point switch may control the function of PLAY/PAUSE/STOP

6. Blackout contact point

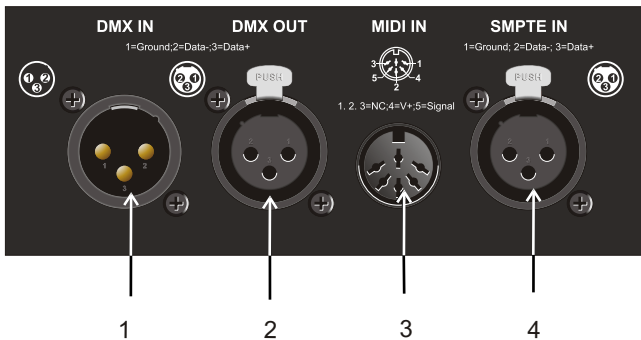
Connects the external contact point switch may control the Blackout function

7. MEMORY1~8 contact point

Connects the external contact point switch may control the Memory1~8

Overview

Right View



1. DMX IN

Inputs the external DMX signal

2. DMX OUT

Outputs the DMX signal

3. MIDI IN Port

Inputs MIDI time

4. SMPTE IN Port

Inputs SMPTE time

Operation Guide

1) Select Work Mode

There are 5 work modes available for DMX Recorder Pro:

- 1) Manual control
- 2) Real-time trigger
- 3) Time code trigger
- 4) External DMX trigger
- 5) DMX monitor

The user may press the OK Button and keep hold it for 2 seconds, the Work Mode option menus appears, now use Up/Down button to select the work mode, and press OK to confirm.

2) Set User Parameters

2.1) When the Work Mode option menu appears, use Up/Down button to select "SET & MODIFY", press OK and input password "1234" (the default password was set as "1234"), the function option menu appears.

2.2) Record/modification of DMX data.

2.2.1) Record DMX

The user may use this function to record SCENE and SHOW, use the recorded SCENE to edit CHASE.

2.2.2) Record a SCENE

To choose and access Record SCENE function, use function button to modify SCENENAME. Select Confirmation & Record, press OK to record the current inputted DMX data. The LED indicator will flash 3 times. After finish, to select "Finish & Return" to return.

2.2.3) Record a SHOW

To choose and access Record SHOW function, use function button to modify SHOWNAME. There are 4 record methods for user choice: Manual, Auto, Semi Auto and Smart.

2.2.3.1) Manual

Press Start button to start record, and then press Stop button to finish.

Operation Guide

2.2.3.2)Auto

Once the recorder received at least a frame which all DMX data are "zero", the recorder is assumed to be in the state of ready to record, when received any "nonzero" DMX data, start to record, when received all "zero" DMX data again, record completed.

2.2.3.3)Semi Auto

The theory is the same as the Auto mode. The difference is that in Semi Auto mode, need to press "Stop" to finish record. Or, when received all "zero" DMX data,record completed.

2.2.3.4)Smart

This mode is applied to those DMX data which were played in a circle with changes, and the DMX data frame must be the totally same in the circle playback.

2.2.3.5)Select "Confirm & Record" to access Record control state. Select "Start Record" to record. The recorder will handle the record in terms of the selected record method. If want to finish record in advance, you can select" Stop & Return".

2.2.4)Add a Chase(The user may use this recorder to edit Chase only if the Scene had been recorded in it.)

2.2.4.1)Slect Add Chase to edit Chase.

2.2.4.2)Use function button to modify CHASENAME.

2.2.4.3)In "STEP: xxx/yyy", the specified step may be modified.

xxx: the current step

yyy: the recorded total steps of this Chase, up to 200 steps can be recorded.

2.2.4.4)Select the Scene of Step in "SceneName xxx/yyy".

xxx: the current Scene

yyy: the total Scenes available for option

2.2.4.5)Mpdify the time parameters of the current step in "HoldTime/FadeYime".

2.2.4.6)After the current parameters setting completed, select "Confirm & Save" to record the current step parameter.

2.2.4.7)Select " Finish & Return" to return.

Operation Guide

2.2.5)Modify the recorded Chase

2.2.5.1)To select "Edit Chase" and access it, use Up/Down to select the Chase you want to modify, press OK to confirm.

2.2.5.2)Now the user may use function button to modify ChaseName, the Scene of the specified Step, HoldTime and FadeTime.

2.2.5.3)Also the user may do "Insert Step" and " Delete Step".

2.2.5.4)Select "Confirm & Return" to return.

2.2.6)Delete Scene/Delete Show/Delete Chase

2.2.6.1)Use this function will delete the specified Scene/Show/Chase.

2.2.6.2)Select "Finish & Return" to return.

2.3)Edit the trigger event

2.3.1)Select "Trigger Event"

2.3.2)There are 3 trigger methods available: Time Event, SMPTE/MTC Event and external DMX trigger.

2.3.3)Time Event

2.3.3.1)The Time Event includes Weekly and Dately mode. In this trigger method, the event will be triggered according to the calendar clock.

2.3.3.2)Weekly Mode

2.3.3.2.1)Add a Weekly event

2.3.3.2.2)Select Weekly

2.3.3.2.3)Use function button to modify EventName, trigger time, trigger memory, memory playback state, output state, etc.

2.3.3.2.4)Select "Confirm& Save", record the current event.

2.3.3.2.5)Select "Finish & Return" to return.

2.3.3.3)Weekly Mode

2.3.3.3.1)Add a Dately event

2.3.3.3.2)Select Weekly

2.3.3.3.3)Use function button to modify EventName, trigger time/date, trigger memory, memory playback state, output state, etc.

2.3.3.3.4)Select "Confirm& Save", record the current event.

2.3.3.3.5)Select "Finish & Return" to return.

Note: Due to the precedence of Dately event is higher than Weekly event, in order to trigger the Weekly event while the Dately event finished it is required to add a "no memory" Trigger after the Dately event .

Operation Guide

2.3.3.4)Edit Weekly Event

2.3.3.4.1)Select "Edit Weekly"

2.3.3.4.2)Use function button may modify EventName, trigger time, trigger memory, memory playback state, output state, etc.

EventName xxx/yyy

xxx, the current event serial number.

yyy, the total event quantity.

2.3.3.4.3)Use function "Select Event" and press Left/Right button to select event.

2.3.3.4.4)Select "Finish & Return" to return.

2.3.3.5)Edit Dately Event

2.3.3.5.1)Select "Edit Dately"

2.3.3.5.2)Use function button may modify EventName, trigger time, trigger memory, memory playback state, output state, etc.

EventName xxx/yyy

xxx, the current event serial number.

yyy, the total event quantity.

2.3.3.5.3)Use function "Select Event" and press Left/Right button to select event.

2.3.3.5.4)Select "Finish & Return" to return.

2.3.3.6)Delete Weekly/Delete Dately

Use this function may delete the specified event.

2.3.4)Select "Finish & Return" back to the previous level.

2.3.5)SMPTE/MTC Event

This event is triggered by the external assigned time.

2.3.5.1)The user may add Trigger Event, edit event and delete event in this mode.

2.3.5.2)Select Add SMPTE/EMC

2.3.5.3)The user may set EventName, Frame Rate, trigger time, trigger memory, playback state, output state, etc.

2.3.5.4)Select "Confirm & Save" to record the current event

2.3.5.5)Select "Finish & Return" to return.

Operation Guide

2.3.6) Select "Edit SMPTE/MTC"

2.3.6.1) The user may set EventName, Frame Rate, trigger time, trigger memory, playback state, output state, etc.

2.3.6.2) Use function "Select Event" and press Left/Right button to select event.

2.3.6.3) Select "Finish & Return" to return.

2.3.7) Select "Delete SMPTE/MTC" to delete the specified event.

2.4) Set DMX trigger parameters

2.4.1) Set DMX Start Address

This recorder receives three channels DMX data, the operation instructions detailed as below.

DMX Channel	DMX Values
Starting Channel	0 ~3, Trigger Memory 1; 4~7, Trigger Memory 2; 9~11, Trigger Memory 3; 28~31, Trigger Memory 8; Above 31, the Memory unchanged.
Starting Channel +1	0~79 , Pause; 80~159 , Play; Above 159 , Stop.
Starting Channel +2	0~127 , Normal Output, Above 127, Blackout.

2.4.2) No DMX IN

This function is used to set Manual/Timer to trigger event while there is no DMX input in the work mode of DMX Trigger or DMX Monitor.

2.4.2) No SMPTE/MIDI IN

This function is used to set Manual/Timer to trigger event while there is no external time input in the work mode of SMPTE/MIDI Trigger or DMX Monitor.

Operation Guide

2.5)Assign Memory

2.5.1) Select Assign Memory

2.5.2) Select Memory(May select from Memory1 to Memory8)

2.5.3) Select Assign Type(Scene, Chase and Show are available for option)

xxx/yyy

xxx, the current Type serial number

yyy, the total available Type quantity

2.5.4) "Assign" is used to assign the specified contents.

2.5.5) "Master" is used to set the Master value for the current memory.

2.5.6) Select "Scene" may set FadeTime for it.When select Chase or Show, may set the Speed Scale of playback.

2.5.7) Select "Finish & Return" to return.

2.6)Modify Clock

This function is used to modify the inner calendar clock.

2.7)Set password

This function is used to modify user password.

2.8)Data Backup

This function is used to copy the parameters of this recorder.

2.8.1)Data Backup

It has to insert SD card prior to using this function.

2.8.2)The detail function will be instructed as below.

Scene→SD Card: Copy all the data of Scene from recorder to SD card.

Chase→SD Card: Copy all the data of Chase from recorder to SD card.

Show→SD Card: Copy all the data of Show from recorder to SD card.

Memory→SD Card : Copy all the assigned data of memory from recorder to SD card.

Event →SD Card: Copy all the Event information from recorder to SD card.

Picture→SD Card: Copy all the pictures from recorder to SD card.

All→SD Card: Copy all the above data from recorder to SD card.

SD Card → Scene: Copy all the data of Scene from SD card to recorder.

SD Card → Chase: Copy all the data of Chase from SD card to recorder.

Operation Guide

SD Card → Show: Copy all the data of Show from SD card to recorder.

SD Card → Memory: Copy all the data of Memory from SD card to recorder. (This operation will overwrite the old Memory in recorder.)

SD Card → Event: Copy all the Event information from SD card to recorder. (This operation will overwrite the old Event in recorder.)

SD Card → Picture: Copy all the pictures from SD card to recorder.

SD Card → All: Copy all the above data from SD card to recorder.

2.8.3) Select "Exit" to return.

3) Communications

DMX Recorder pro also can communicate with PC via USB cable. In your PC you will find a dummy U disk while the recorder connected to PC so that you can copy the data directly.

Note: The recorder can only read/process the file which name length not exceed 8 characters and the extension length not exceed 3 characters.

4) Program Updating

Disconnect the main power, and keep pressing the Right button and OK button, then power on the device again. Connect the device with PC via a USB cable, and the unit will be recognized as a removable storage, Copy the latest updating file to the removable storage will finish the update process.

