

Introduction

XOP XENON lamps

XOP Xenon lamps are linear lamps equipped with a special cable connection that prevents arcing. Straight XOP lamps have a diameter of 12 mm and an overall length of 241-698 mm, depending on wattage. The spectrum of their radiation output is, like that of all xenon lamps, near-continuous, ranging from about 200 to 1000 nm. Due to this it simulates sunlight very closely. The color temperature is 5600 K. XOP Xenon lamps are used either in continuous or pulsed mode (stroboscopy).

Pulsed xenon lamps are operated on a driver circuit of the semi-resonant type. In addition, they need an electronic igniter to provide the starting pulse of some 10 kV. They have instant ignition and re-ignition and require no warming-up time. The average rated life ranges between 250 and 500 hours at a depreciation of 20% after 250 burning hours.

Depending on the application XOP lamps might need forced-air cooling. The lamps do not generate any ozone. Since they emit UV light, they must be screened to protect the eyes and skin. Care must be taken to avoid overexposure of eyes and skin. In view of the high starting voltage, the lamp holder and cabling must be insulated from the luminaires. The burning position is universal.

Applications

• Weathering

> Xenon lamps are frequently used in sun simulation applications. Due to their near continuous spectrum from UV to IR, they are an ideal source to simulate the effects of sun exposure to adhesives, colors (fading) and materials like plastics (fading, getting brittle and porous, etc.)

They are the best source in testing the degradation of products exposed to the sunlight as they resemble the day light spectrum very well.

• Copyboard lighting

> Small, horizontal copyboards as well as large vertical ones can be lit very evenly. Owing to their spectral power distribution XOP lamps are eminently suitable for color reproduction, while for black-and-white reproduction these lamps are superior to almost every other light source.

> Illumination of originals, drawings, photos or any other objects, placed on copyboards, with the purpose of making positive or negative transparent films, which will then serve to make plates.

• Stop-and-repeat copying machines

XOP lamps are extremely useful for this application as no run-up time is necessary

• Strobe lighting

- > Dance and night clubs : Provide an illusion of slow motion effects
- > Emergency vehicles and situations
- > Alarm systems
- > Theatre lighting
- > Running lights
- > Special occasion: Haunted house, outdoor Halloween display

Luminaires

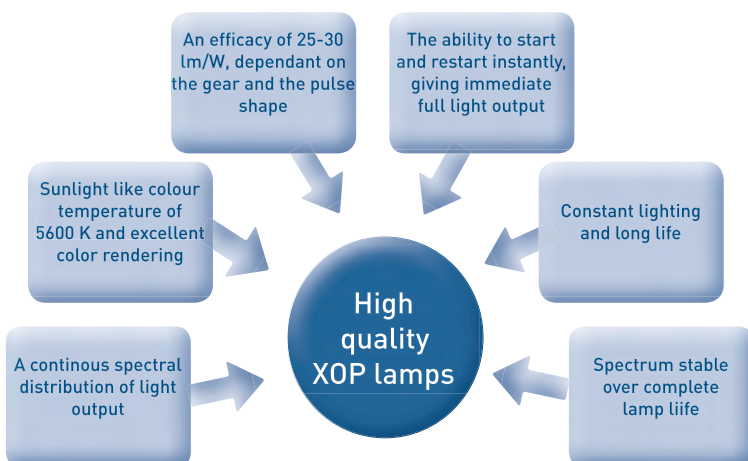
- Screening must be provided to protect eyes and skin from short-wave UV light output.



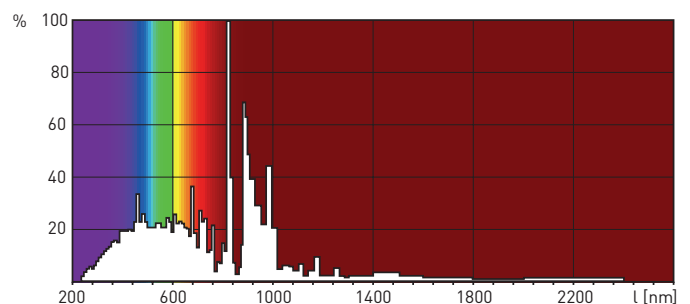
- Lampholder and wiring must be insulated from the luminaire because of the high starting voltage

Characteristics of XOP lamps:

| Features | Benefits |
|--|---|
| <ul style="list-style-type: none"> • Xenon filling • Hot Restrike • Universal burning position • Very small diameter • Instant start • No color degradation over life • Instant light | <ul style="list-style-type: none"> • Good color performance, resembling sunlight very well • No standby mode needed • Creative freedom • Ideally suited for reflector design • Energy saving • Resembling original colors very well |



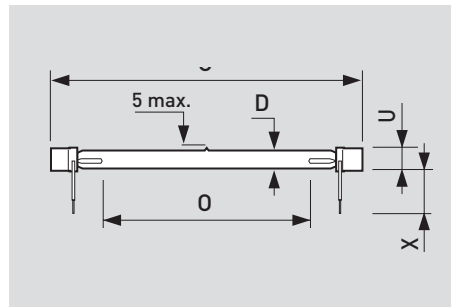
XOP POWER SPECTRAL DISTRIBUTION:



Prodotti commercializzati da:
AMLUX s.r.l.
46042 Castel Goffredo (MN)
info@amlux.it - www.amlux.it

XOP

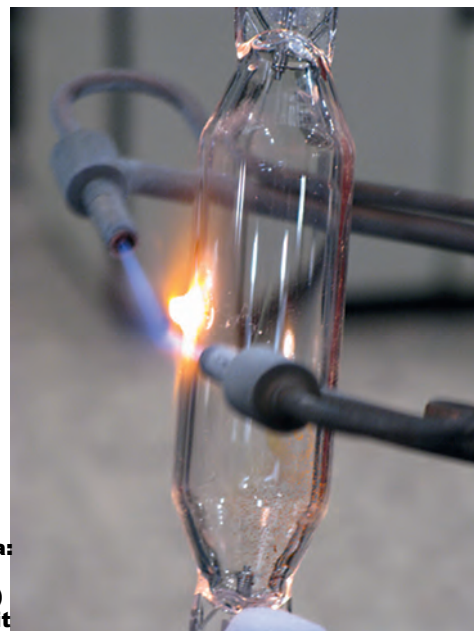
The maximum permissible temperature is 350°C for the pinch and 650°C for the bulb.



Dimensions in mm

| Lamp type | W | Ignition supply V | Lamp current (A) | Luminous Efficacy | Dimmable | Cap-base | Cap-base information | Life to 50% failures | Operating position | Pces per pack | Article no. |
|-----------------|------|-------------------|------------------|-------------------|----------|----------------------|----------------------|----------------------|--------------------|---------------|----------------|
| XOP 7 -OF 1CT/4 | 650 | 207 | 12.3 | 20-25 lm/W | No | Ceramic 15.8x14.7mm | Cable 115mm | 250 hr | any | 4 | 9283 768 05102 |
| XOP 15-OF 1CT/6 | 1000 | 207 | 10.7 | 20-25 lm/W | No | Ceramic 15.8x14.7mm | Cable 115 mm | 250 hr | any | 6 | 9283 769 05102 |
| XOP 25-OF 1CT/6 | 1100 | 207 | 10.5 | 20-25 lm/W | No | Ceramic 15.8x14.7 mm | Cable 115mm | 250 hr | any | 6 | 9283 775 05102 |

| Product | C (max) | D (max) | O | U | X |
|-----------|---------|---------|---------|-------------|---------|
| XOP 7 -OF | 241 | 12 | 158 ± 3 | 14.7 ± 0,35 | 115 ± 5 |
| XOP 15-OF | 395 | 12 | 312 ± 3 | 14.7 ± 0,35 | 115 ± 5 |
| XOP 25-OF | 540 | 12 | 457 ± 3 | 14.7 ± 0,35 | 115 ± 5 |



Prodotti commercializzati da:
AMLUX s.r.l.
 46042 Castel Goffredo (MN)
 info@amlux.it - www.amlux.it