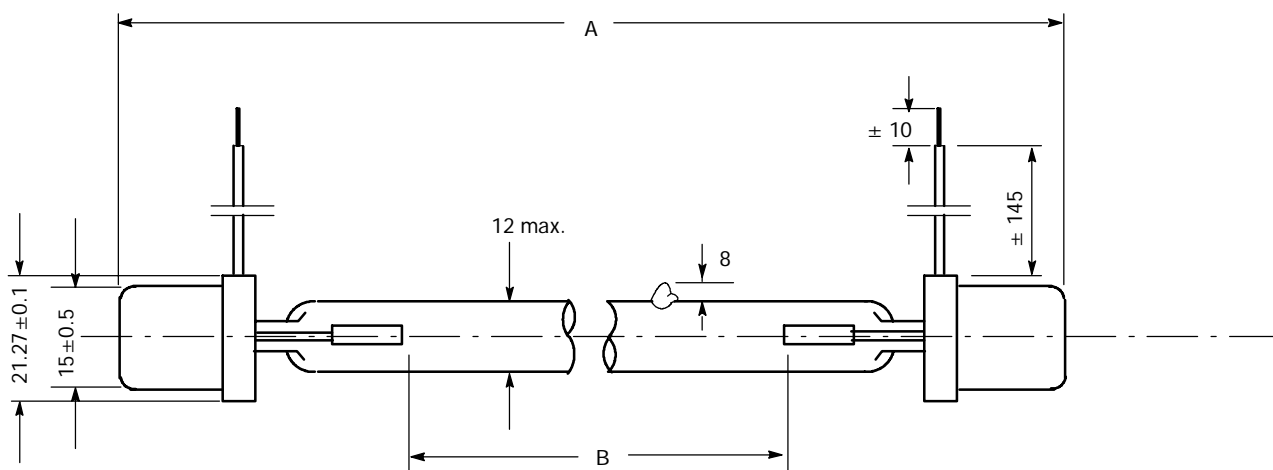




**DIMENSIONS (mm)**



A : max. 543  
B : 457 ± 3.0

Base : CAP 15.8 / 14.7 cable

**ELECTRICAL DATA:**

		NOMINAL VALUE	MIN.	MAX.
Lamp rated wattage	(W) :	2500		
Lamp current	(A) :	16		

**OPERATING CONDITIONS:**

Burning position	:	any		
Max. Pinch temperature	(°C) :	-	-	350
Max. Bulb temperature	(°C) :	-	-	650

**LAMP LIFE :**

Rated average life	(h) :	500		
--------------------	-------	-----	--	--

**PHOTOMETRIC DATA :**

**ATTENTION:** Lamps must comply with the requirements of IEC. The product must be used with suitable operating equipment and in accordance with the specified data.

**APPLICATION :**

Issued by : Tienen  
Date : 22.11.2006  
Revision date :

**DATA SHEET**

Specification No. : 44-XP-9023401  
Supersedes :  
Page 1 of 1