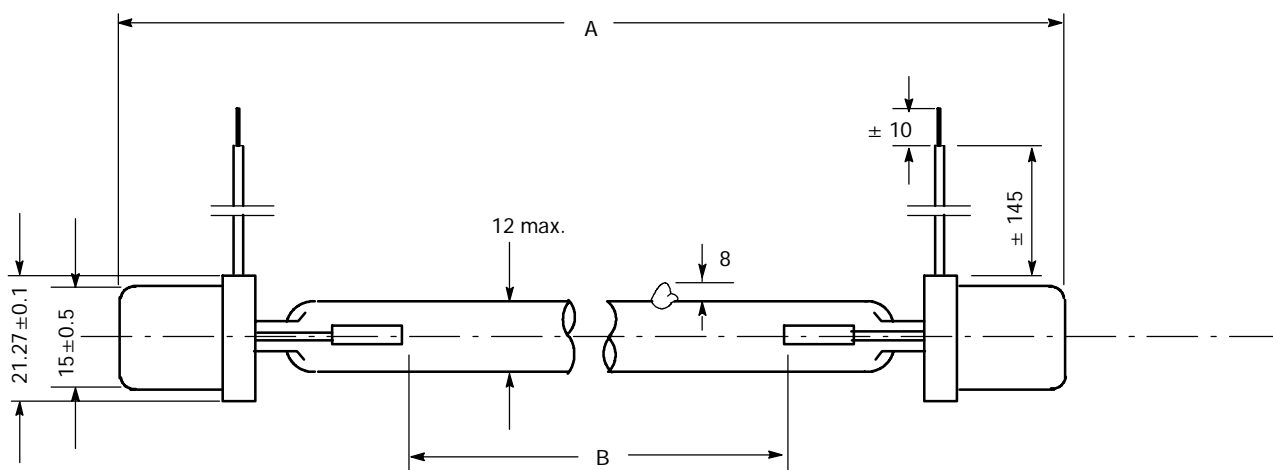




DIMENSIONS (mm)



A : max. 398
B : 312 ± 3.0

Base : CAP 15.8 / 14.7 cable

ELECTRICAL DATA:

NOMINAL VALUE

MIN.

MAX.

Lamp rated wattage	(W)	:	1500
Lamp current	(A)	:	10.7

OPERATING CONDITIONS:

Burning position	:	any		
Max. Pinch temperature	(°C)	:	-	350
Max. Bulb temperature	(°C)	:	-	650

LAMP LIFE :

Rated average life	(h)	:	500
--------------------	-----	---	-----

PHOTOMETRIC DATA :

ATTENTION: Lamps must comply with the requirements of IEC. The product must be used with suitable operating equipment and in accordance with the specified data.

APPLICATION :

Issued by : Tienen
Date : 22.11.2006
Revision date :

DATA SHEET

Specification No. : 44-XP-9023475
Supersedes :
Page 1 of 1