



BA 300/2 LL mini BriteFit and BA 700/2 mini BriteFit



BA 700/2 BriteFit and BA 1500 BriteFit

BriteArc "BriteFit" lamps are metal halide light sources with excellent performance, specially equipped with a bayonet system "BriteFit", for fast and easy replacement.



**Features**

- Easy replacement system Sylvania BriteFit
- No outer bulb : allows reduced lamp dimensions
- High luminous efficacy
- Low infrared
- Very good colour stability and quality
- Excellent lumen maintenance
- Physical ruggedness

**Applications**

- Show lighting
- Theatre
- Discotheque lighting
- Effect lighting
- Studio lighting

**Directions for use**

- Only use in closed fixtures
- Can be operated on electronic power supply or on a magnetic ballast
- Burning position: universal

**BriteArc "BriteFit"**

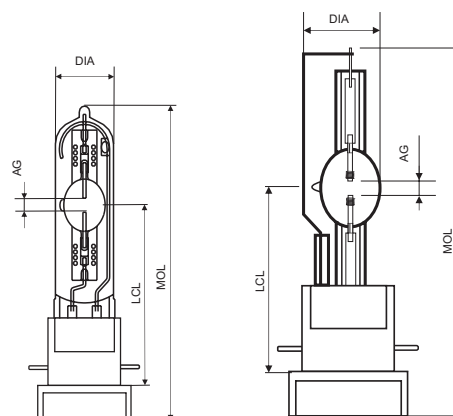
Code	Description	Watt (W)	Volt (V)	Cap	Current (A)	Ignition Pulse (KV)	Colour Temp (K)	Luminous Flux (lm)	CRI	Total UV-output (W)	Average Rated Life (Hrs)	Replacement Time (Hrs)	Packing Qty
0023805	BA 300/2 mini BriteFit - NEW	300	95	PGJX28	3.8	1.9	8400	23,000	2A	60	750	1000	10
0023809	BA 300/2 LL mini BriteFit - NEW	300	95	PGJX28	3.8	1.9	8500	22,000	2A	60	2000	2200	10
0023812	BA 575/2 mini BriteFit - NEW	575	95	PGJX28	7	2.5	7500	38,600	2A	75	750	1000	10
0023800	BA 700/2 mini BriteFit - NEW	700	70	PGJX28	10.2	2.5	7500	50,000	2A	100	750	1000	10
0023813	Mini Britefit Daylight	1000	82	PGJX50	12.2	2.5	5600	50,000	2A	100	750	1000	10
0023808	BA 700/3 Mini Britefit 3200	700	70	PGJX28	10.2	2.5	3200	50,000	1B	100	750	1000	10
0023806	BA 700/2 BriteFit - NEW	700	70	PGJX28	10.2	2.5	7500	50,000	2A	100	750	1000	10
0023815	BA 700 Britefit Daylight	700	70	PGJX50	10.2	2.5	5600	50,000	2A	100	750	1000	10
0023807	BA 700/3 mini BriteFit - NEW	700	70	PGJX28	10.2	2.5	3200	50,000	1B	100	750	1000	10
0023817	BA 1000 Medium Britefit Daylight	1000	82	PGJX36	12.2	4	6000	85,000	85	130	750	850	10
0023818	BA 1000/3 Medium Britefit 3200K	1000	82	PGJX36	12.2	4	3200	85,000	90	130	750	850	10
0023801	BA 1500 BriteFit- NEW	1500	100	PGJX28	16	3.5	6000	135,000	1A	200	750	1000	10

Fig 1

Fig 2

**Dimensions (mm)**

Code	Figure No	MOL	AG	DIA	BBL
0023805	1	122	5	23	67
0023809	1	122	5	23	67
0023812	2	112	4	23	56
0023800	2	112	4	23.2	56
0023813	2	112	5.5	23.5	56
0023808	2	125	4	23.2	65
0023806	2	125	4	23.2	65
0023815	2	125	4	23.2	65
0023807	2	112	4	23.2	56
0023817	2	112	5.5	26.5	56
0023818	2	112	5.5	26.5	56
0023801	2	128	5	27	65



Dimensions (mm)