



MSR Gold™ MiniFastFit (DJ/Club)

MSR Gold™ 300/2 MiniFastFit 1CT/4

Thanks to the specially designed lamp base and lamp holder, the MSR Gold™ MiniFastFit takes just seconds to replace, to help ensure non-stop clubbing entertainment. In addition, the innovative gold plated pins ensure excellent current transfer to prolong lamp and lamp holder lifetimes and thereby reduce lamp replacement costs. Easy handling and small compact fixture designs are allowed by the lamps compact size, while the very short arc provides a high perceived brightness and high beam intensity.

Product data

• General Information

Cap-Base	PGJX28 [PGJX28]
Operating Position	UNIVERSAL [Any or Universal (U)]
Main Application	Entertainment
Life To 50% Failures (Nom)	750 h
System Description	MiniFastFit

• Light Technical

Color Code	2
Luminous Flux (Min)	21000 lm
Luminous Flux (Nom)	23000 lm
Chromaticity Coordinate X (Nom)	288
Chromaticity Coordinate Y (Nom)	306
Correlated Color Temperature (Nom)	9300 K
Luminous Efficacy (rated) (Nom)	77 lm/W
Color Rendering Index (Nom)	80

• Operating and Electrical

Power (Rated) (Nom)	300 W
Lamp Current (Nom)	3.8 A

Ignition Supply Voltage (Min)	207 V
-------------------------------	-------

• Controls and Dimming

Dimmable	Yes
----------	-----

• Mechanical and Housing

Cap-Base Information	PGJX28
----------------------	--------

• Luminaire Design Requirements

Bulb Temperature (Max)	950 °C
Pinch Temperature (Max)	500 °C

• Product Data

Full product code	87182912211100
Order product name	MSR Gold™ 300/2 MiniFastFit 1CT/4
EAN/UPC - Product	8718291221111
Order code	928177105115
Numerator - Quantity Per Pack	1
Numerator - Packs per outer box	4
Material Nr. (12NC)	928177105115
Net Weight (Piece)	0.062 kg

Prodotti commercializzati da:
AMLUX s.r.l.
46042 Castel Goffredo (MN)
info@amlux.it - www.amlux.it

PHILIPS

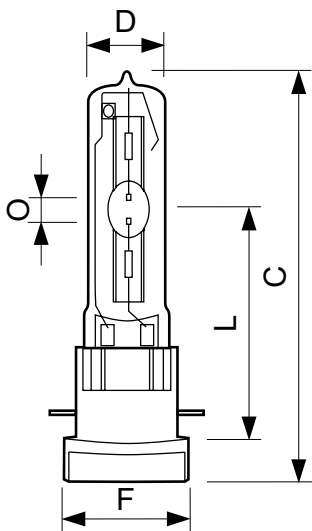
MSR Gold™ MiniFastFit (DJ/Club)

Warnings and Safety

- A lamp breaking is extremely unlikely to have any impact on your health. If a lamp breaks, ventilate the room for 30 minutes and

remove the parts, preferably with gloves. Put them in a sealed plastic bag and take it to your local waste facilities for recycling. Do not use a vacuum cleaner.

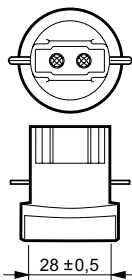
Dimensional drawing



MSR Gold™ 300/2 MiniFastFit

MSR GOLD 300/2 MiniFastFit

Product	D	O	L	L	L	C
MSR Gold™ 300/2 MiniFastFit 1CT/4	23 mm	5.0 mm	65.8 mm	67.8 mm	66.8 mm	126 mm



© 2016 Philips Lighting Holding B.V.
All rights reserved.

Specifications are subject to change without notice. Trademarks are the property of Koninklijke Philips N.V. (Royal Philips) or their respective owners.

www.philips.com/lighting

Prodotti commercializzati da:
AMLUX s.r.l.
46042 Castel Goffredo (MN)
info@amlux.it - www.amlux.it

2016, May 28
data subject to change