

# MSR Short Arc

## MSR 700 SA 1CT/4



The lamp's short arc and compact design helps enable a compact luminaire that provides high beam intensity, while the excellent color rendition characteristics help ensure optimal colors on stage. The highly innovative P3 technology, developed by Philips, allows MSR Short Arc lamps to be used at higher temperatures in any burning position. The result? Longer lifetime, fewer early failures and a highly consistent performance throughout the lamp's lifetime.

### Product data

#### • General Information

Cap-Base	GY9.5 [ GY9.5]
Operating Position	UNIVERSAL [ Any or Universal (U)]
Main Application	Studio/Disco
Life To 50% Failures (Nom)	750 h
System Description	Short Arc

#### • Light Technical

Color Code	- [ Not Specified]
Luminous Flux (Min)	52000 lm
Luminous Flux (Nom)	55000 lm
Chromaticity Coordinate X (Nom)	333
Chromaticity Coordinate Y (Nom)	342
Correlated Color Temperature (Nom)	5600 K
Luminous Efficacy (rated) (Nom)	81 lm/W
Color Rendering Index (Nom)	80

#### • Operating and Electrical

Power (Rated) (Nom)	700 W
Lamp Current (Nom)	11 A

Ignition Supply Voltage (Min)	207 V
-------------------------------	-------

#### • Controls and Dimming

Dimmable	No
----------	----

#### • Mechanical and Housing

Cap-Base Information	-
----------------------	---

#### • Luminaire Design Requirements

Bulb Temperature (Max)	1000 °C
Pinch Temperature (Max)	500 °C

#### • Product Data

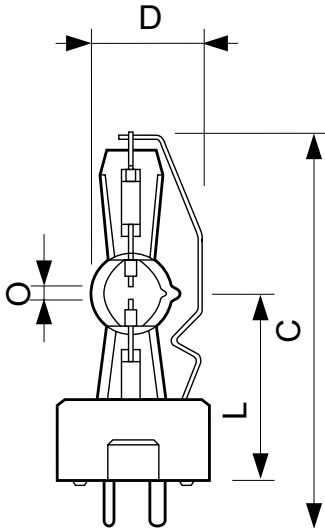
Full product code	871829122802800
Order product name	MSR 700 SA 1CT/4
EAN/UPC - Product	8718291228028
Order code	928170305115
Numerator - Quantity Per Pack	1
Numerator - Packs per outer box	4
Material Nr. (12NC)	928170305115
Net Weight (Piece)	0.020 kg

## Warnings and Safety

- A lamp breaking is extremely unlikely to have any impact on your health. If a lamp breaks, ventilate the room for 30 minutes and

remove the parts, preferably with gloves. Put them in a sealed plastic bag and take it to your local waste facilities for recycling. Do not use a vacuum cleaner.

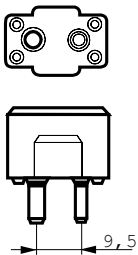
## Dimensional drawing



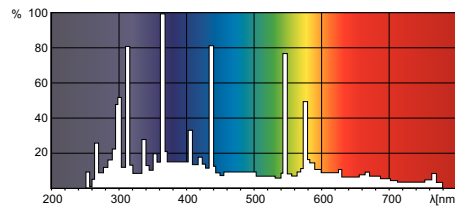
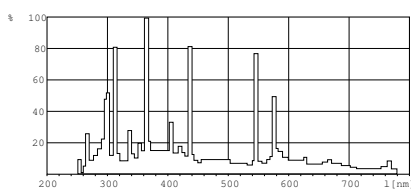
GY9.5

## MSR 700 SA

Product	D	O	L	L	L	C
MSR 700 SA 1CT/4	25 mm	4.0 mm	38 mm	40 mm	39 mm	83 mm



## Photometric data



Prodotti commercializzati da:  
 AMLUX s.r.l.  
 46042 Castel Goffredo (MN)  
[info@amlux.it](mailto:info@amlux.it) - [www.amlux.it](http://www.amlux.it)

2016, May 28  
 data subject to change