



GE
Lighting



Discharge - Single Ended
Cold Start

CSR575/2/SE

15378

Product information

Compact, single ended metal halide cold start lamps for a variety of applications requiring high luminance, reliability and excellent colour characteristics. Excellent colour rendering Ra from 70 – 90+- High CCT 7200 - 9000 K with superior colour stability -Universal burn position -Dimmable with stable colour- High efficiency with excellent lumen maintenance .



Product data

Cap/Base	GX9.5
Bulb Shape	Tubular
Bulb Finish	Clear
Bulb Diameter [mm]	28.6
Maximum Overall Length [mm]	125
Light Center Length [mm]	65
Arc Gap	7
Net weight per piece [g]	56
Gross weight per piece [g]	213
Operating position	U - Universal
Brand	General Electric (GE)

Performance data

Colour Code	672
Colour Rendering Index (CRI) [Ra]	65
Nominal correlated colour temperature (CCT) [K]	7800
Nominal lumens [lm]	48000
Energy efficiency class (EEC)	A
Nominal chromaticity coordinate X	0.302
Nominal chromaticity coordinate Y	0.32
Nominal power [W]	575
Nominal lamp voltage [V]	95

Electrical data

Weighted energy consumption [kWh/1000h]	632.5
Lamp Current [A]	5.9
Dimming Capability	No
Ballast Required	Yes

Logistic data

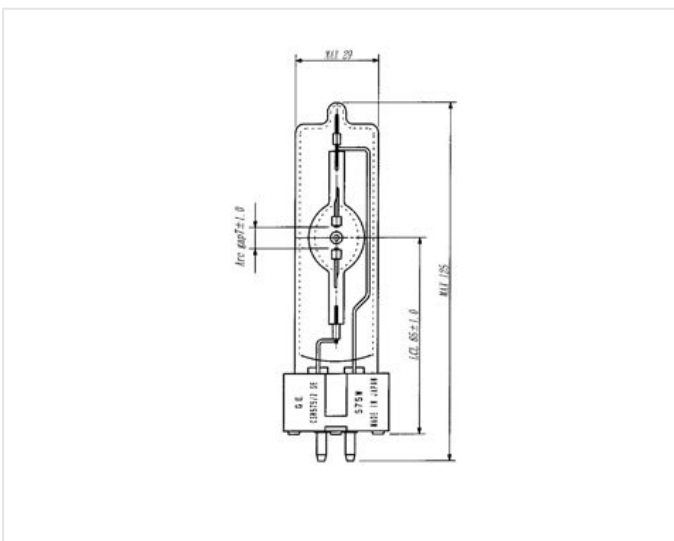
DUN Code	20043168153786
EAN Code	0043168153782
Pack Quantity	10
Inner pack type	BOX
Outer pack type	OUTER BOX
Layer quantity	100 EUR, 130 UK
Layer quantity EUR	100
Layer quantity UK	130
Pallet quantity EUR (PC)	600
Pallet quantity UK (PC)	780
Outer case size	370 x 154 x 230 (mm)
Product status	Available

Application areas



Event and Tour

Technical drawing



Downloads & Links

[Go to the catalog site \(HTTP\)](#)

[Entertainment Solution Spectrum Catalogue \(PDF\)](#)

[Lighting design tools & calculators \(HTTP\)](#)

Disclaimer

Special Purpose Lamp, Not suited for household illumination