

## Technical Information

No. DO 4394

Edition: 10/08 - subject to change

Supersedes: Edition 08/04

Status: valid



Metal Halide Lamp

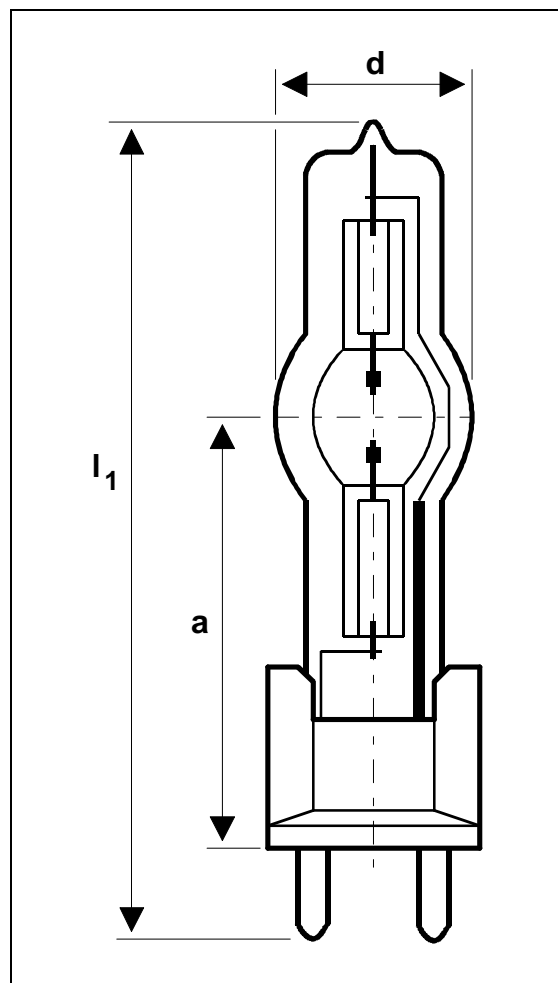
# HMI<sup>®</sup> 2500 W/SE XS

### ■ Product description

The OSRAM HMI<sup>®</sup> 2500 W/SE is a single-ended metal halide lamp with outer jacket. Featuring OSRAM's eXtreme-Seal Technology, the lamp stands pinch temperatures up to 450°C now. This lamp type is mainly used in film and TV lighting, for stage, show and industrial solar simulation.

### ■ Technical data

Order reference	HMI <sup>®</sup> 2500 W/SE XS	
Rated lamp wattage	W	2500
Rated lamp voltage	V	115 ± 10
Rated lamp current (~)	A	25,6
Ignition voltage (cold, kHz-ign.)	kV <sub>s</sub>	5
Ignition voltage (cold / hot, MHz-ign.)	kV <sub>s</sub>	20 / 45 (max. 55)
Luminous flux	lm	240,000
Luminous efficacy	lm/	96
Color temperature	K	6,000
Color rendering index	Ra	> 90
Electrode gap e	mm	14
Lamp length (overall) l <sub>1</sub>	mm	max. 225
Bulb diameter d	mm	max. 60
LCL a	mm	127
Average service life	h	500
Base	G 38	



### ■ Lamp operation

Maximum pinch seal temperature allowed	°C	450 / with eXtreme Seal Technology (measured at welding point)
Cooling	Convection	
Burning position	any	

The HMI<sup>®</sup> 2500 W/SE can either be operated on standard ballasts or on electronic power supplies (ECG).

### ■ Manufacturers of igniters and control gear (not all officially approved by OSRAM)

Igniters:	I.R.E.M. AD-3050, sAD-3050; Mitronic ZG 2500; Bauch 905, 912
Ballasts:	ARRI 2500 CB, 2500 CB DMX; I.R.E.M. BC-2500; LTM 502501; Lumo 510-053; May & Christe 1105.0815.001, 1105.2305.003; Mitronic VG 2500; Panther FL 2500, ST 2500; RDS BC-2500; Strand 65 208 220 ERC 686290/2 (2 units in parallel)
ECGs:	ARRI 2500 EBB, 2.5/4kW EB, 2.5/4kW EB DMX; B&S EB 2500C; DE SISTI EB 2500C; ERC DEB 2500; I.R.E.M. EB-2500, sEB-2500; LTM A 522; Lumo Super 2.5; RDS EB-2500; Sansha SG-2500; Strand 65 208 760

Further information on operating and control gears requirements is available with the OSRAM brochure "Guidelines for Control Gear and Igniters - Metal Halide Lamps Photo Optic", order reference 123T01E.