

## **aluPAR 64 500 W 230 V MFL**

---

aluPAR 64 | Halogen lamps with parabolic aluminum reflector PAR64, with pin base



## Technical data

---

### Electrical data

Nominal wattage	500 W
Nominal voltage	230 V

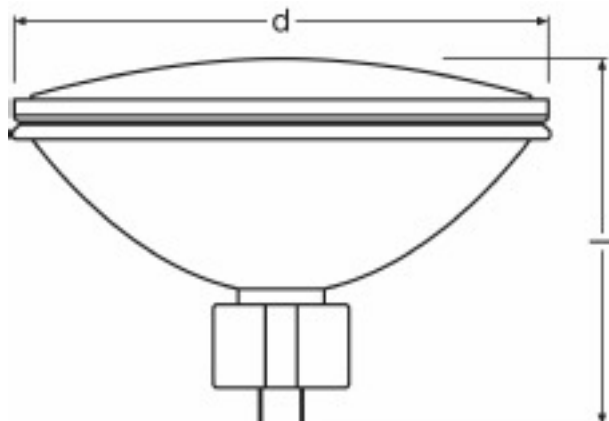
### Light technical data

Beam angle	21 / 10 ° <sup>1)</sup>
Luminous intensity	65000 cd
Color temperature	3100 K

<sup>1)</sup> Half-value angle 50°

### Dimensions & weight

Diameter	204.0 mm
Length	203.1 mm



Product line drawing

**Lifespan**

Lifespan	300 h
----------	-------

**Additional product data**

Base (standard designation)	GX16d
-----------------------------	-------

**Capabilities**

Burning position	hs30 <sup>1)</sup>
------------------	--------------------

<sup>1)</sup> Do not tilt perpendicular to the filament

**Certificates & standards**

EEI – Energy Label	B
--------------------	---

## Safety advice

---

To prevent personal injury or damage to property, aluPAR 56 and aluPAR 64 lamps may only be operated in suitable luminaires designed with suitable mechanisms (grids etc.) to ensure that in the event of a lamp bursting no parts/shards can escape. Because of the heat produced only heat-resistant lamp connections (holders) may be used. Do not operate near people, or any materials that are flammable, sensitive to heat or affected by drying out. Detailed information is available on request.



---

*Burning position*

**Logistical Data**

---

<b>Product code</b>	<b>Packaging unit (Pieces/Unit)</b>	<b>Dimensions (height x width x length)</b>	<b>Gross weight</b>	<b>Volume</b>
4008321341327	Folding carton box 1	169 mm x 166 mm x 194 mm	654.00 g	5.44 dm <sup>3</sup>
4008321341334	Shipping carton box 6	355 mm x 210 mm x 510 mm	4306.00 g	38.02 dm <sup>3</sup>

---

## References / Links

---

Further information on the aluPAR lamps can be found in the brochure entitled:  
"In a class of their own. OSRAM PAR lamps for entertainment lighting: Lighter, brighter, cooler."

## Disclaimer

---

Subject to change without notice. Errors and omission excepted. Always make sure to use the most recent release.