

aluPAR 64 500 W 230 V NSP

aluPAR 64 | Halogen lamps with parabolic aluminum reflector PAR64, with pin base



Technical data

Electrical data

Nominal wattage	500 W
Nominal voltage	230 V

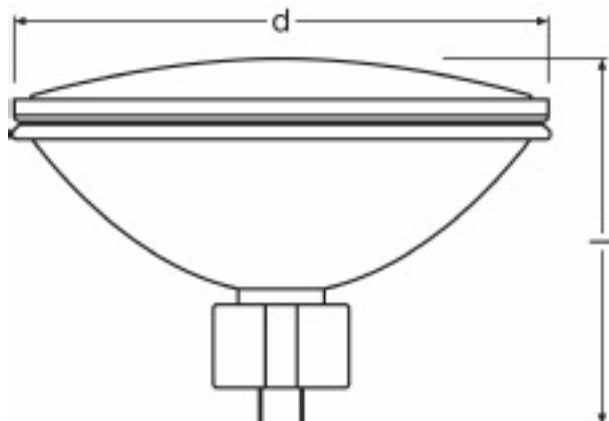
Light technical data

Beam angle	11 / 9 ° ¹⁾
Luminous intensity	140000 cd
Color temperature	3100 K

¹⁾ Half-value angle 50°

Dimensions & weight

Diameter	204.0 mm
Length	203.1 mm



Product line drawing

Lifespan

Lifespan	300 h
----------	-------

Additional product data

Base (standard designation)	GX16d
-----------------------------	-------

Capabilities

Burning position	hs30 ¹⁾
------------------	--------------------

¹⁾ Do not tilt perpendicular to the filament

Certificates & standards

EEI – Energy Label	B
--------------------	---

Safety advice

To prevent personal injury or damage to property, aluPAR 56 and aluPAR 64 lamps may only be operated in suitable luminaires designed with suitable mechanisms (grids etc.) to ensure that in the event of a lamp bursting no parts/shards can escape. Because of the heat produced only heat-resistant lamp connections (holders) may be used. Do not operate near people, or any materials that are flammable, sensitive to heat or affected by drying out. Detailed information is available on request.



Burning position

Logistical Data

Product code	Packaging unit (Pieces/Unit)	Dimensions (height x width x length)	Gross weight	Volume
4008321341273	Folding carton box 1	169 mm x 166 mm x 194 mm	654.00 g	5.44 dm ³
4008321341280	Shipping carton box 6	355 mm x 210 mm x 510 mm	4306.00 g	38.02 dm ³

References / Links

Further information on the aluPAR lamps can be found in the brochure entitled:
"In a class of their own. OSRAM PAR lamps for entertainment lighting: Lighter, brighter, cooler."

Disclaimer

Subject to change without notice. Errors and omission excepted. Always make sure to use the most recent release.