

# Halogen Low Voltage

## ELC/10H 250W GX5.3 24V 1CT



The long lifetime of most of the Halogen Low Voltage lamps is further extended by the unique P3 technology developed by Philips. This allows the lamp to be used at higher temperatures, thereby extending the lamp's lifetime, reducing early failures, and resulting in fewer maintenance man hour costs. P3 also ensures consistency of high-quality light output, and allows the lamp to be used in any burning position, which enables more compact fixture designs. In addition, the compact filament produces a clean white light and high beam intensity for true natural colors on stage and without any hotspots.

### Product data

#### • General Characteristics

Philips Code	13163
ANSI Code	ELC/10H
LIF Code	A1/259-10H
Cap-Base	GX5.3
Bulb	R50
Bulb Material	Quartz-UV Open
Reflector Finish	Smooth
Operating Position	any
Main Application	Disco/Theatre
Life to 50% failures	1000 hr

#### • Light Technical Characteristics

Color Rendering Index	100 Ra8
Color Temperature Technical	3400 K

#### • Electrical Characteristics

Lamp Wattage	250 W
Voltage	24 V
Dimmable	Yes

#### • Luminaire Design Requirements

Pinch Temperature	400 (max) C
-------------------	-------------

Bulb Temperature	900 (max) C
Working Distance WD	31.7 mm

#### • Product Dimensions

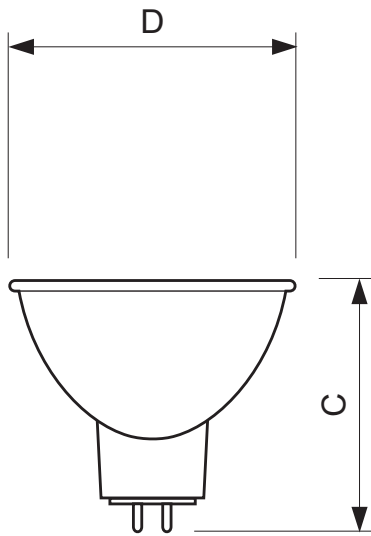
Overall Length C	44.5 (max) mm
Diameter D	50 (max) mm
Filament Dimensions (WxH) [mm]	-

#### • Product Data

Order code	924913220540
Full product code	924913220540
Full product name	ELC/10H 250W GX5.3 24V 1CT
Order product name	ELC/10H 250W GX5.3 24V 1CT/24
Pieces per pack	1
Packing configuration	24
Packs per outerbox	24
Bar code on pack - EAN1	8711500436863
Bar code on outerbox - EAN3	8711500436870
Logistic code(s) - 12NC	924913220540
Net weight per piece	0.024 kg

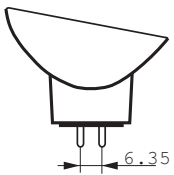
**PHILIPS**

## Dimensional drawing



### ELC/10H 250W GX5.3 24V 1CT

Product	C (Max)	D (Max)	L (Min)	L (Norm)	L (Max)
13163 ELC/10H 250W GX5.3 24V	44.5	50	-	-	-



GX5.3



© 2013 Koninklijke Philips N.V. (Royal Philips)  
All rights reserved.

Specifications are subject to change without notice. Trademarks are the property of Koninklijke Philips N.V. (Royal Philips) or their respective owners.

[www.philips.com/lighting](http://www.philips.com/lighting)

2013, October 9  
data subject to change