

## DECOSTAR 51S 50 W 12 V 10° GU5.3

---

DECOSTAR 51S Standard | Halogen dichroic reflector lamps with 51 mm diameter and glass panel



- General illumination
- Entrance lighting
- Workplace lighting
- Kitchen lighting
- Mirror lighting
- Object lighting

### Product benefits

---

- Brilliant accent light
- Dichroic reflector reduces the heat in the light beam by up to 66 %
- Approved for use in open luminaires (to IEC 60598-1)
- UV filter
- Contains no mercury, can be thrown away with normal household waste

### Product features

---

- Average life: 2,000 h
- Dimmable
- Color rendering index  $R_a$ : 100
- Base: GU5.3

## Technical data

---

### Electrical data

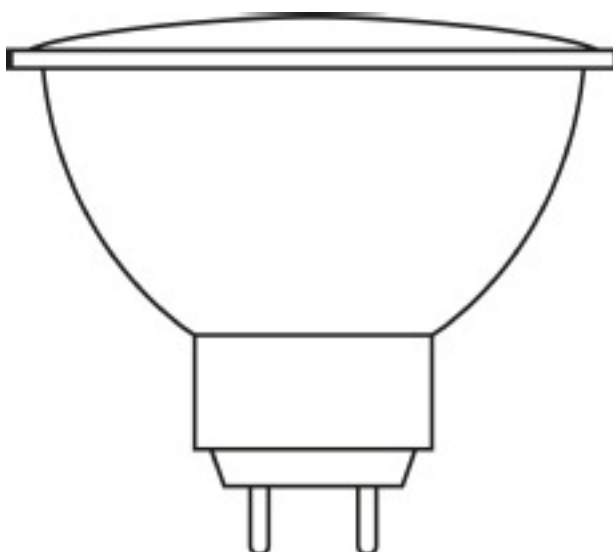
Rated wattage	50 W
Nominal wattage	50 W
Nominal voltage	12 V
Power factor $\lambda$	1.00

### Light technical data

Luminous intensity	9000 cd
Beam angle	10 °
Color temperature	3000 K
Color rendering index Ra	100
Starting time	0.0 s
Warm-up time (60 %)	0 s
Lumen main.fact.at end of nom.life time	0.80

### Dimensions & weight

Overall length	46.0 mm
Diameter	51.0 mm
Outer bulb	MR51



*Prod.line drw, front, no dimensions*

**Colors & materials**

<b>Lamp mercury content</b>	0.0 mg
<b>Mercury-free</b>	Yes

**Lifespan**

<b>Nominal lamp life time</b>	3000 h
<b>Rated lamp life time</b>	3000 h
<b>Number of switching cycles</b>	1000000 <sup>1)</sup>

<sup>1)</sup> At 1 min on / 3 min off

**Additional product data**

<b>Base (standard designation)</b>	GU5.3
------------------------------------	-------

**Capabilities**

<b>Dimmable</b>	Yes
<b>Burning position</b>	Any

**Country specific categorizations**

<b>ILCOS</b>	HRGS//UB-50-12-GU5,3-51/10
<b>Order reference</b>	44870 SP

## References / Links

---

For light distribution curves see

▶ [www.osram.com](http://www.osram.com)

## Disclaimer

---

Subject to change without notice. Errors and omission excepted. Always make sure to use the most recent release.