

DECOSTAR 51S 20 W 12 V 10° GU5.3

DECOSTAR 51S Standard | Halogen dichroic reflector lamps with 51 mm diameter and glass panel



- General illumination
- Entrance lighting
- Workplace lighting
- Kitchen lighting
- Mirror lighting
- Object lighting

Product benefits

- Brilliant accent light
- Dichroic reflector reduces the heat in the light beam by up to 66 %
- Approved for use in open luminaires (to IEC 60598-1)
- UV filter
- Contains no mercury, can be thrown away with normal household waste

Product features

- Average life: 2,000 h
- Dimmable
- Color rendering index R_a : 100
- Base: GU5.3

Technical data

Electrical data

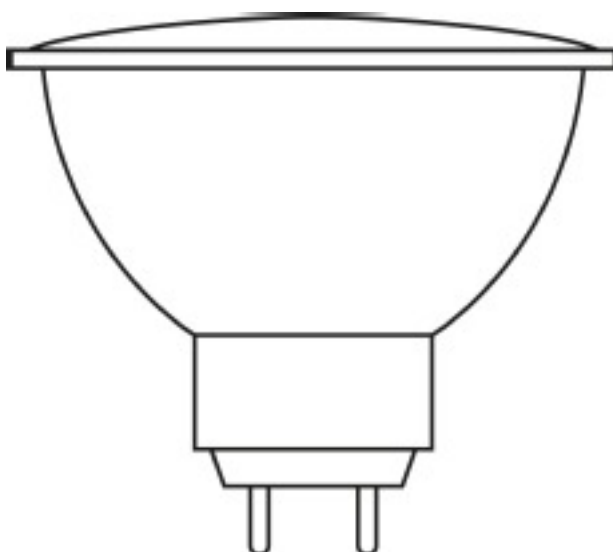
Rated wattage	20 W
Nominal wattage	20 W
Nominal voltage	12 V
Power factor λ	1.00

Light technical data

Luminous intensity	3000 cd
Beam angle	10 °
Color temperature	2800 K
Color rendering index Ra	100
Starting time	0.0 s
Warm-up time (60 %)	0 s
Lumen main.fact.at end of nom.life time	0.80

Dimensions & weight

Overall length	45.0 mm
Diameter	51.0 mm
Outer bulb	MR51



Prod.line drw, front, no dimensions

Colors & materials

Lamp mercury content	0.0 mg
Mercury-free	Yes

Lifespan

Nominal lamp life time	2000 h
Rated lamp life time	2000 h
Number of switching cycles	1000000 ¹⁾

¹⁾ At 1 min on / 3 min off

Additional product data

Base (standard designation)	GU5.3
------------------------------------	-------

Capabilities

Dimmable	Yes
Burning position	Any

Country specific categorizations

ILCOS	HRGS//UB-20-12-GU5,3-51/10
Order reference	44860 SP

References / Links

For light distribution curves see

▶ www.osram.com

Disclaimer

Subject to change without notice. Errors and omission excepted. Always make sure to use the most recent release.