

Halogen FastFit

Hi-Brite 7016G 1200W 80V FastFit



Halogen FastFit lamps are replaced in seconds - thanks to the specially designed base. The compact filament ensures high beam intensity, while the shock-resistant design allows easy handling and reliable use in moving head systems. In addition, the highly innovative P3 technology allows use at higher temperatures, which further extends lifetime and consistency of light output. P3 technology also allows the lamp to be used in any burning position and enables more compact designs of fixtures. And because the FastFit design is also applied to Philips MSR/MSD Gold™ lamps, switching lamp technologies is also quick and easy.

Product data

• General Characteristics

Philips Code	7016G
ANSI Code	-
System Description	P3 Technology
Cap-Base	PGJX50
Bulb Finish	Clear
Filament Shape	Bi-Plane
Operating Position	any
Main Application	Entertainment
Life to 50% failures	200 hr

• Light Technical Characteristics

Color Temperature	3250 K
Technical	
Luminous Flux Lamp	36000 Lm

• Electrical Characteristics

Watts	1200 W
Voltage	80 V
Dimmable	Yes
Rapid Acting HBC	16 V
Fuse	

• Luminaire Design Requirements

Pinch Temperature	500 (max) C
-------------------	-------------

• Product Dimensions

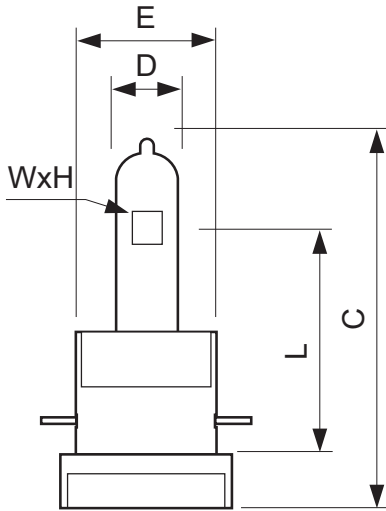
Overall Length C	140 (max) mm
Diameter D	25 (max) mm
Overall Width E	41 (max) mm
Light Center Length L	82 mm
Filament Dimensions (WxH) [mm]	12x10.5
Filament Height H	10.5 mm
Filament Length W	11.7 mm

• Product Data

Product number	201624
Full product name	Hi-Brite 7016G 1200W 80V FastFit
Short product name	Hi-Brite 7016G 1200W 80V FastFit
Pieces per Sku	1
eop_pck_cfg	10
Skus/Case	10
Bar code on pack	8711500507075
Bar code on case	8711500507082
Logistics code(s)	924575228928
eop_net_weight_pp	0.139 kg

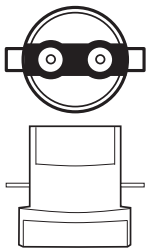
Dimensional drawing

Dimensional drawing



Hi-Brite 7016G 1200W 80V FastFit

Product	C (Max)	D (Max)	E (Max)	H (Norm)	L (Norm)	W (Norm)
Hi-Brite 7016G 1200W PGJX50 80V FastFit	140	25	41	10.5	82	11.7



PGJX50



© 2012 Koninklijke Philips Electronics N.V.
All rights reserved.

Specifications are subject to change without notice. Trademarks are the property of Koninklijke Philips Electronics N.V. or their respective owners.

www.philips.com/lighting

2012, December 28
data subject to change