

Edition: 05/06 - subject to change  
Supersedes: 04/89  
Status: valid

**64718 (230/240V)**

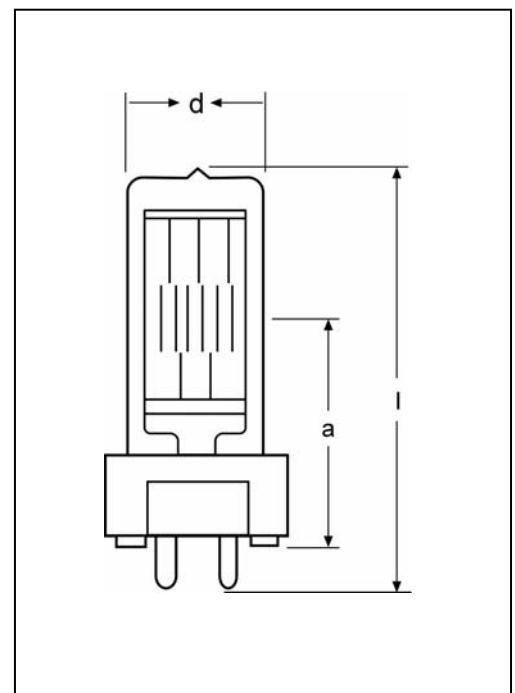
## ■ Product description

The OSRAM 64718 is mainly used for stage and theatre and fitted into Fresnel, Profile and PC Spot luminaires.

## ■ Technical Data

Lamp / order reference	64718	
ANSI	GCT	
LIF	T/27	
Rated lamp wattage	W	650
Rated lamp voltage	V	230/240
Average life-time	h	400
Color temperature	K	3000
Luminous flux	lm	14850 (14250*)
Luminous efficacy	lm/W	22.3
Base	GY 9.5	
Diameter d	mm	23
Lamp length l	mm	90
LCL a	mm	46.5
Filament dimensions (w x h)	mm	10 x 10
Type of filament	biplan	

\* referred to 240V



## ■ Lamp operation

Max. pinch seal temperature °C	350°C max.
Burning position	s90
Fuse protection	D-Fusing 500V, 10A quick
Remarks	Use of closed luminaires is recommended