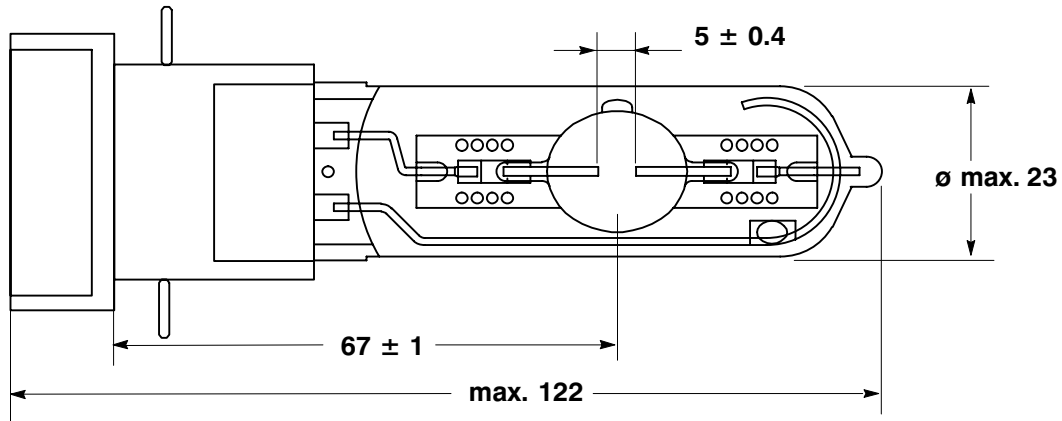


DIMENSIONS (mm)



Cap : PGJX28
 Bulb : quartz glass

ELECTRICAL DATA:		NOMINAL VALUE	MIN.	MAX.
Lamp wattage	(W) :	300		350
Lamp voltage	(V) :	95	85	105
Lamp current	(A) :	3.8		4

OPERATING CONDITIONS:

Burning position	:	universal		
Starting voltage peak cold (kV)	:		1.9	5
Pinch temperature (°C)	:			350
Bulb temperature (°C)	:			500

LAMP LIFE

Average life	*(h) :	750		
Replacement time	** (h) :			850

* Cycle : 3 hours ON, ½ hour off at rated wattage

** Increasing shattering risk

PHOTOMETRIC DATA *** :

Initial luminous flux	(lm) :	23 000		
Luminous efficacy	(lm/W) :	77		
Correlated colour temperature	(K) :	8000		
Colour rendering index	(class) :	2a		
Specific Effective UV–power (mW/klm) :				200

*** Measurement at nominal wattage in horizontal position

ATTENTION : The lamp must be operated in a suitably enclosed fitting. Due to the high operating pressure inside the lamp, the possibility exists that in extreme circumstances the lamp might shatter. The lamp should not be operated with a broken or damaged outer envelope. The lamp generates UV–radiation. Read the safety instructions packed with the lamp. Lamps comply with the requirements of IEC publication 62035.

Issued by : TIENEN
 Date : 18.05.2011
 Revision date : 24.11.2011

DATA SHEET

Specification No. : 44–BA–0023805/A
 Supersedes : 44–BA–0023805
 Page 1 of 1