



SIXBAR 500™

SKU# SIX074

The new SIXBAR 500™ features (6) 12W 6-IN-1 RGBAW+UV LEDs, 100,000 average hour LED life, 30° beam angle, individual control of each LED, variable dimming curve modes, strobe and chase effects, a UV wavelength of 395nm, ArtNet, KlingNet and RDM (remote device management) protocol support, 3pin and 5pin DMX, powerCon, and RJ45 in/out connections, LCD menu display with 4 button control panel, integrated dual rigging brackets, multiple unit power linking, rugged die-cast aluminum exterior, flicker free operation for TV and FILM, 93W max power consumption, and a multi-voltage universal auto switching power supply (110-240v).



FEATURES

- 6 x 12W 6-in-1 RGBAW+UV LEDs
- 100,000 Hour Rated Life LEDs
- 30° Beam Angle
- ArtNET and KlingNet Protocol Support
- RDM (Remote Device Management)
- Individual Control of Each LED
- Variable Dimming Curves
- Strobe and Zone Chase Effects
- Integrated Dual Rigging Brackets
- Multiple Unit Power Linking
- Rugged Die-Cast Aluminum Exterior
- Flicker Free Operation for TV and FILM



Frost Filter and Glare Shield Included

ELATION | SIXBAR 500™ | Product Specification Sheet

Specifications are subject to change without notice ©Elation Professional

Elation Professional USA | 6122 S. Eastern Ave. | Los Angeles, CA. 90040
323-582-3322 | 323-832-9142 fax | www.elationlighting.com | info@elationlighting.com

Elation Professional B.V. | Junostraat 2 | 6468 EW Kerkrade, Netherlands
+31 45 546 85 66 | +31 45 546 85 96 fax | www.elationlighting.eu | info@elationlighting.eu

PRODUCT SPECIFICATIONS

FEATURES

- 30° Beam Angle
- ArtNet and Klingnet Support
- RDM - Remote Device Management
- Individual LED Control
- Variable Dimming Curve Modes
- Multiple Unit Power Linking
- Rugged Die-Cast Aluminum Exterior
- Flicker Free Operation for TV and FILM

SOURCE

- (6) 12W 6-in-1 RGBAW+UV LEDs
- 100,000 Hour Average LED Life

PHOTOMETRIC DATA

- 6,500 LUX 604 FC @3.3' (1m) (30° Full ON)
- 1,934 LUX 180 FC @6.6' (2m) (30° Full ON)
- 901 LUX 84 FC @9.8' (3m) (30° Full ON)
- 508 LUX 47 FC @13.1' (4m) (30° Full ON)
- 318 LUX 30 FC @16.4' (5m) (30° Full ON)

EFFECTS

- Strobe and Chase Effects
- Individual LED Control
- Variable and Selectable Dimming Curves

CONTROL / CONNECTIONS

- 8 DMX Channel Modes (6 / 7 / 11 / 13 / 18 / 36 / 39 / 43)
- 4 Button Control Panel and LCD Menu Display
- ArtNet + KlingNET Protocol Support
- RDM (Remote Device Management)
- (2) etherCON Ports
- 3pin and 5pin DMX In/Out
- powerCON Power In/Out

SIZE / WEIGHT

- Length: 17.7" (450mm)
- Width: 8.1" (206.4mm) *with included shield
- Vertical Height: 6.1" (155mm)
- Weight: 9.0 lbs. (4.1 kg)

ELECTRICAL / THERMAL

- AC 110-240V - 50/60Hz
- 93W Max Power Consumption
- Power Linking: 11pcs @110V / 25pcs @240V
- 5°F to 113°F (-15°C to 45°C)

APPROVALS / RATINGS

CE | IP20

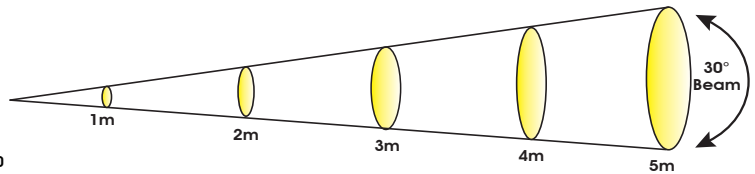
INSTALLATION

- Rigging: Integrated Dual Rigging Brackets
- Working Position: Any (360°)

INCLUDED ITEMS

- powerCON Cable
- Frost Filter
- Glare Shield

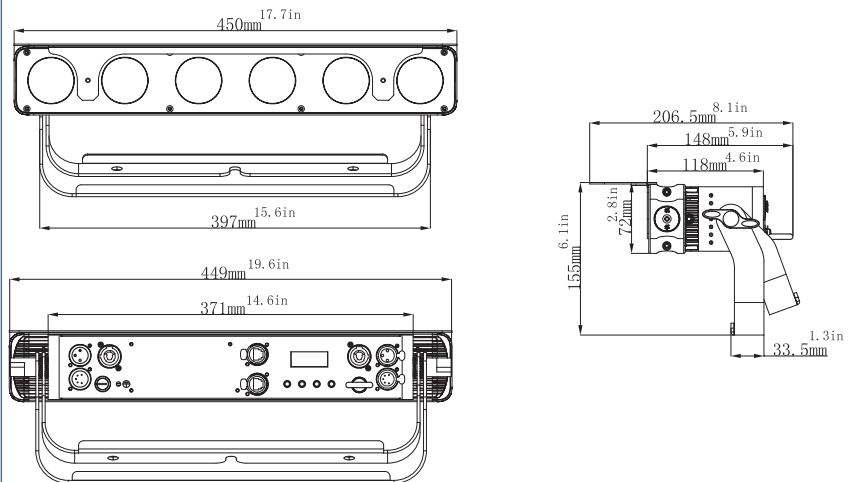
PHOTOMETRIC DATA



SIXBAR 500

| Distance | m | | ft | | m | | ft | | m | | ft | | m | | ft | |
|---------------------|--------------|------------|--------------|------------|------------|-----------|------------|-----------|------------|-----------|-------------------|-----------|------------|-----------|----|--|
| | 1 | 3.3 | 2 | 6.6 | 3 | 9.8 | 4 | 13.1 | 5 | 16.4 | 30° Beam Diameter | | | | | |
| 30° Beam Diameter | 0.52 | 1.7 | 1.05 | 3.4 | 1.58 | 5.2 | 2.13 | 7.0 | 2.66 | 8.7 | | | | | | |
| Photometrics | lux | fc | lux | fc | lux | fc | lux | fc | lux | fc | lux | fc | lux | fc | | |
| RED LEDs | 590 | 55 | 200 | 19 | 104 | 10 | 56 | 5 | 40 | 4 | | | | | | |
| GREEN LEDs | 1,141 | 106 | 330 | 31 | 179 | 17 | 109 | 10 | 66 | 6 | | | | | | |
| BLUE LEDs | 1,180 | 110 | 340 | 32 | 190 | 18 | 110 | 10 | 72 | 7 | | | | | | |
| WHITE LEDs | 1,412 | 131 | 440 | 41 | 230 | 21 | 129 | 12 | 88 | 8 | | | | | | |
| AMBER LEDs | 520 | 48 | 158 | 15 | 84 | 8 | 49 | 5 | 35 | 3 | | | | | | |
| UV LEDs | 285 | 26 | 79 | 7 | 44 | 4 | 26 | 2 | 14 | 1 | | | | | | |
| FULL ON | 6,500 | 604 | 1,934 | 180 | 901 | 84 | 508 | 47 | 318 | 30 | | | | | | |

DIMENSIONAL DIAGRAMS



OPTIONAL ACCESSORIES

| ORDER CODE | ITEM |
|---------------|---|
| TRIGGER CLAMP | Heavy Duty Wrap Around Hook Style Clamp |
| EWDMSYSTEM | Wireless DMX System (1 Transmitter, 1 Receiver) |
| EWDMXT | Wireless DMX Transmitter |
| EWDMXR | Wireless DMX Receiver |
| AC3PDMX5PRO | 5 ft. (1.5m) 3pin PRO DMX Cable |
| AC5PDMX5PRO | 5 ft. (1.5m) 5pin PRO DMX Cable |
| PLC3 | 3' (1m) PowerCON PRO Link Cable |
| CAT005 | 5' (1.5m) CAT6 Ethercon Cable |
| | Additional cable lengths available |



Specifications are subject to change without notice ©Elation Professional

Elation Professional USA | 6122 S. Eastern Ave. | Los Angeles, CA. 90040
323-582-3322 | 323-832-9142 fax | www.elationlighting.com | info@elationlighting.com

Elation Professional B.V. | Junostraat 2 | 6468 EW Kerkrade, Netherlands
+31 45 546 85 66 | +31 45 546 85 96 fax | www.elationlighting.eu | info@elationlighting.eu