



## CUEPIX BLINDER WW4™

The new CUEPIX Blinder WW4™ features (4) long life 100W Warm White 3,200K COB LEDs, a 62° beam angle, RDM (Remote Device Management), individual control of each COB module, manual pan focus, variable and selectable dimming curves, strobe effects, flicker free operation for TV and Film, 3pin and 5pin DMX and powerCon in/ out connections, LCD menu display with 4 button control panel, integrated yoke and side mounting brackets, and a multi-voltage universal auto switching power supply (100-250v).

### FEATURES

- 4 x 100W Warm White 3,200K COB LEDs**
- 100,000 Hour Rated Life LEDs**
- 62° Beam Angle - 100° Field Angle**
- RDM (Remote Device Management)**
- Individual COB Module Control, Manual Pan Focus**
- Variable Dimming Curve Modes**
- Strobe Effects**
- Flicker Free Operation for TV and FILM**



Specifications are preliminary and subject to change without notice ©Elation Professional

**PRODUCT SPECIFICATIONS**

**FEATURES**

High Power Long Life Warm White COB LEDs  
 62° Beam Angle - 100° Field Angle  
 Individual Control of Each COB Module  
 5 Variable Dimming Curve Modes  
 RDM (Remote Device Management)  
 Flicker FREE Operation for TV and FILM

**SOURCE**

(4) 100W Warm White 3,200K COB LEDs  
 100,000 Hour Average Life

**PHOTOMETRIC DATA**

12,300 LUX 1,143 FC @3.3' (1m) (62°Full ON)  
 3,130 LUX 291 FC @6.6' (2m) (62°Full ON)  
 1,581 LUX 147 FC @9.8' (3m) (62°Full ON)  
 714 LUX 66 FC @13.1' (4m) (62°Full ON)  
 626 LUX 58 FC @16.4' (5m) (62°Full ON)

**EFFECTS**

Strobe  
 Dimming : 0% - 100% of Each COB Module  
 Variable Dimming Curves

**CONTROL / CONNECTIONS**

6 DMX Channel Modes (1 / 2 / 4 / 5 / 7 / 9)  
 4 Button Control Panel and LCD Menu Display  
 3pin and 5pin DMX In/Out  
 RDM (Remote Device Management)  
 powerCON Power In/Out

**SIZE / WEIGHT**

Length: 15.7" (400 mm)  
 Width: 6.9" (174 mm)  
 Horizontal Height: 17.4" (441 mm)  
 Weight: 21.0 lbs. (9.5 kg)

**ELECTRICAL / THERMAL**

AC 100-240V - 50/60Hz  
 427W Max Power Consumption  
 Power Linking: pending  
 -14°F to 113°F (-10°C to 45°C)

**APPROVALS / RATINGS**

IP20

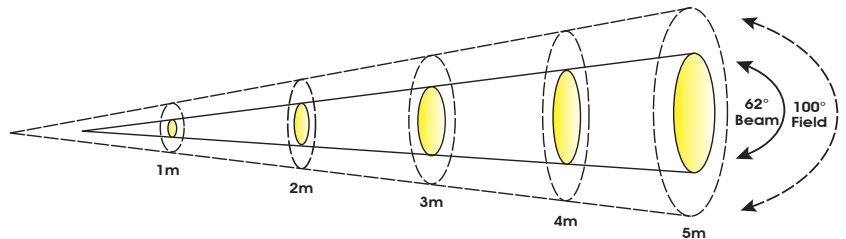
**INSTALLATION**

Rigging: Integrated Yoke and Side Mounting Brackets  
 Working Position: Any (360°)

**INCLUDED ACCESSORIES**

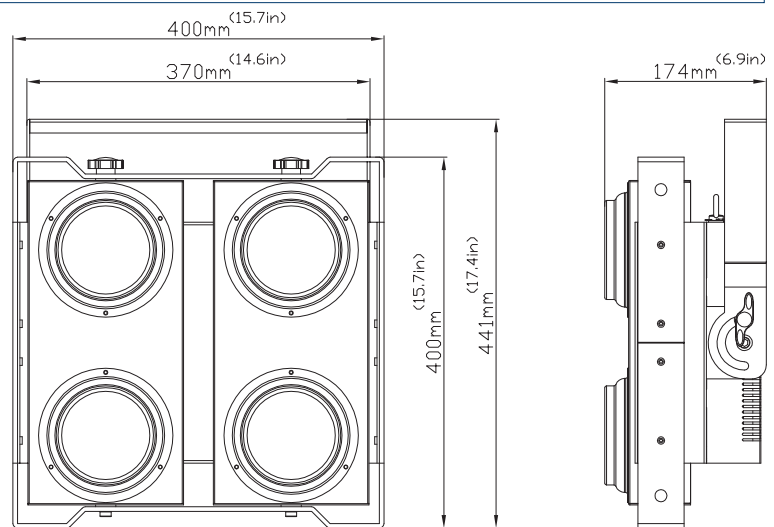
(1) powerCON Cable

**PHOTOMETRIC DATA**



	m		ft		m		ft		m		ft		m		ft		
	1	3.3	2	6.6	3	9.8	4	13.1	5	16.4							
62° Beam Diameter	1.2	3.9	2.4	7.9	3.61	11.8	4.81	15.8	6.01	19.7							
100° Field Diameter	2.38	7.8	4.77	15.6	7.15	23.5	9.53	31.3	11.8	38.7							
<b>Photometrics</b>	<b>lux</b>	<b>fc</b>	<b>lux</b>	<b>fc</b>	<b>lux</b>	<b>fc</b>	<b>lux</b>	<b>fc</b>	<b>lux</b>	<b>fc</b>	<b>lux</b>	<b>fc</b>	<b>lux</b>	<b>fc</b>	<b>lux</b>	<b>fc</b>	<b>lux</b>
<b>ALL FULL ON</b>	12,300	1,143	3,130	291	1,581	147	714	66	626	58							

**DIMENSIONAL DIAGRAM**



**OPTIONAL ACCESSORIES**

ORDER CODE	ITEM
TRIGGER CLAMP	Heavy Duty Wrap Around Hook Style Clamp
EWDMSYSTEM	Wireless DMX System (1 Transmitter, 1 Receiver)
EWDMMXT	Wireless DMX Transmitter
EWDMMXR	Wireless DMX Receiver
PLC3	3' (1m) PowerCON PRO Link Cable
PLC6	6' (1.8m) PowerCON PRO Link Cable
AC3PDMX5PRO	5 ft. (1.5m) 3pin PRO DMX Cable
AC5PDMX5PRO	5 ft. (1.5m) 5pin PRO DMX Cable
	Additional Cable Lengths Available