



SIX PAR Z19 IP™

SKU# SIX119

The SIX PAR Z19 IP™ is an IP65 rated 6-color par wash luminaire with zoom, featuring (19) individual 15W 6-IN-1 RGBAW+UV LEDs, 5° to 45° motorized zoom, UV LED Wavelength of 395nm, electronic strobe and variable dimming curve effects, IP rated 5pin DMX and powerCON TRUE1 in/out connections, LCD menu display with (4) touch button control panel, adjustable yoke / floor stand, multiple unit power linking, RDM (remote device management), rugged die-cast aluminum exterior, flicker free operation for TV and FILM, and a multi-voltage universal auto switching power supply (110-250v).



FEATURES

IP65 Rated 6-Color Par Wash Luminaire

19 x 15W RGBAW + UV LEDs

5° to 45° Motorized Zoom

395nm UV LED Wavelength

Electronic Strobe and Variable Dimming Curve Effects

RDM - Remote Device Management

Rugged Die-Cast Aluminum Exterior

Multiple Unit Power Linking

IP Rated DMX and powerCON TRUE1 Connections

Flicker Free Operation for TV and FILM



PRODUCT SPECIFICATIONS

SOURCE

(19) 15W RGBAW + UV LEDs
100,000 Hour Average LED Life*

*LED Life may vary depending on several factors including but not limited to: Environmental Conditions, Power/Voltage, Usage Patterns (On-Off Cycling), Control and Dimming.

PHOTOMETRIC DATA

13,240 LUX 1,230 FC @9.8' (3m) (5° Full ON)
831 LUX 77 FC @9.8' (3m) (45° Full ON)

COLOR

RGBAW + UV

EFFECTS

5° - 45° Beam Zoom
RGBWA + UV Color Mixing
Color and Chase Program Macros
Electronic Strobe and Variable Dim Curves

CONTROL / CONNECTIONS

(4) DMX Channel Modes (14 Total Channels)
4 Button Control Panel and LCD Menu Display
RDM (Remote Device Management)
IP Rated 5pin DMX In/Out
powerCON TRUE1 Power In/Out

SIZE / WEIGHT

Length: 14.3" (363mm)
Width: 12.0" (305mm)
Vertical Height: 15.6" (396mm)
Weight: 27.0 lbs. (12.2 kg)

ELECTRICAL / THERMAL

AC 110-240V - 50/60Hz
314W Max Power Consumption
5°F to 113°F (-15°C to 45°C)
UV Wavelength: 395nm

APPROVALS / RATINGS



INCLUDED ITEMS

powerCON TRUE1 Cable
Safety Cable

PHOTOMETRIC DATA

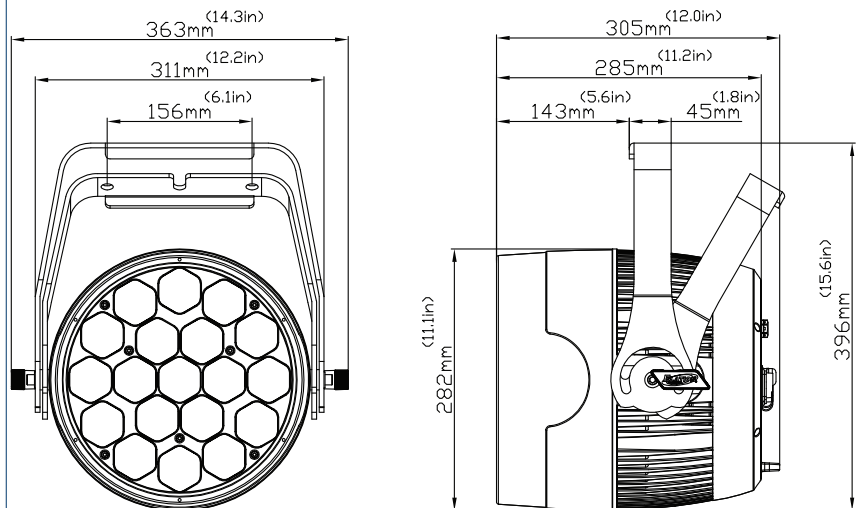
MIN ZOOM - 5° Beam Diameter

	3 m	9.8 ft	4 m	13.1 ft	5 m	16.4 ft
5° Beam Diameter	0.26	0.9	0.35	1.1	0.43	1.4
15° Field Diameter	1	3.3	1.3	4.3	1.6	5.2
	lux	fc	lux	fc	lux	fc
RED LEDs	1,859	173	1,211	113	853	79
GREEN LEDs	6,220	578	3,918	364	2,755	256
BLUE LEDs	915	85	557	52	383	36
WHITE LEDs	6,221	578	3,876	360	2,750	255
AMBER LEDs	1,351	126	824	77	687	64
UV LEDs	121	11	80	7	44	4
FULL ON	13,240	1,230	8,371	778	5,859	544

MAX ZOOM - 45° Beam Diameter

	3 m	9.8 ft	4 m	13.1 ft	5 m	16.4 ft
45° Beam Diameter	2.49	8.2	3.31	10.9	4.14	13.6
55° Field Diameter	3.12	10.2	4.16	13.6	5.2	17.1
	lux	fc	lux	fc	lux	fc
RED LEDs	132	12	78	7	49	5
GREEN LEDs	371	34	219	20	153	14
BLUE LEDs	68	6	41	4	29	3
WHITE LEDs	431	40	246	23	152	14
AMBER LEDs	80	7	48	4	35	3
UV LEDs	13	1	10	1	8	1
FULL ON	831	77	486	45	309	29

DIMENSIONAL DIAGRAMS



OPTIONAL ACCESSORIES

ORDER CODE	ITEM
NARROW CLAMP	P PRO 2" Wrap Around Clamp
NEU088	3' (1m) powerCON TRUE1 Power Link Cable
	Additional cable lengths available



Specifications are subject to change without notice ©Elation Professional 02/02/18

Elation Professional USA | 6122 S. Eastern Ave. | Los Angeles, CA 90040
323-582-3322 | 323-832-9142 fax | www.elationlighting.com | info@elationlighting.com

Elation Professional B.V. | Junostraat 2 | 6468 EW Kerkrade, The Netherlands
+31 45 546 85 66 | +31 45 546 85 96 fax | www.elationlighting.eu | info@elationlighting.eu