



VOLT Q5E SIX PACK™

The new Volt Q5E Six Pack™ charging road case includes (6) IP65 rated Volt Q5E™ units, each having (5) 10W QUAD color RGBW LEDs, 9° beam 17° field angles, 180°+ manual LED head positioning, variable color correction (2,700K - 7,200K), magnetic frost filter gel frame, electronic strobe and dimming, flicker free operation for TV and FILM, rugged die-cast aluminum exterior, rubber padded base, retractable carrying handle, an internal wireless EWDMX receiver, and powered by a rechargeable Lithium-Ion battery.

VOLT Q5E™ FEATURES

- IP65 Rated, 9° Beam 17° Field Angles**
- (5) 10W QUAD Color RGBW LEDs**
- 180°+ Manual LED Head Positioning**
- Variable Color Correction (2,700K - 7,200K)**
- Magnetic Frost Filter Gel Frame**
- Electronic Strobe and Dimming**
- Internal Wireless EWDMX Receiver**
- Rechargeable Lithium-Ion Battery**
- Flicker Free Operation for TV and FILM**
- Rugged Die-Cast Aluminum Exterior**
- Rubber Padded Base and Retractable Carrying Handle**

VOLT Q5™ CHARGING ROAD CASE FEATURES

- Charges (6) Volt Q5E™ Units**
- Charge Status Windows for each unit**



PRODUCT SPECIFICATIONS

VOLT Q5E™

FEATURES

- IP65 Rated, 9° Beam and 17° Field Angles
- 180°+ Manual LED Head Positioning
- Variable Color Correction (2,700K - 7,200K)
- Internal Wireless EWDMX Receiver
- Rechargeable Lithium-Ion Battery
- Flicker Free Operation for TV and FILM
- Rugged Die-Cast Aluminum Exterior
- Rubber Padded Base and Retractable Carrying Handle

SOURCE

- (5) 10W QUAD Color RGBW LEDs
- 100,000 Hour Average Life

PHOTOMETRIC DATA

38,450 LUX 3,572 FC @3.3 ft (1m) (9° Full ON)

EFFECTS

- Variable Color Correction (2,700K - 7,200K)
- Magnetic Frost Filter Gel Frame
- Electronic Strobe and Dimming
- Multiple Color and Chase Macros

CONTROL / CONNECTIONS

- (4) DMX Channel Modes (4 / 5 / 7 / 9)
- Internal Wireless EWDMX Receiver
- (4) Button Control Panel
- LCD Menu Display
- 3pin IP DMX In/Out, 2pin IP Power Charger In

SIZE / WEIGHT (single unit)

- Length: 11.4" (290mm)
- Width: 5.5" (252mm)
- Vertical Height: 11.4" (289mm)
- Weight: 15.0 lbs. (6.8 kg)

ELECTRICAL / THERMAL

- DC 22-26.2V
- 65W Max Power Consumption (each unit)
- 14°F to 113°F (-10°C to 45°C)

INSTALLATION

- Rigging: Clamps (Not Included) / Floor
- Working Position: Any (360°)

VOLT Q5™ CHARGING ROAD CASE

FEATURES

- Charges (6) Volt Q5™ Units
- Charge Status Windows for each unit

SIZE / WEIGHT (loaded case with 6 units)

- Length: 44.0" (1118mm)
- Width: 22.0" (560mm)
- Vertical Height: 21.6" (548mm)
- Loaded Weight: 240.0 lbs. (109 kg)

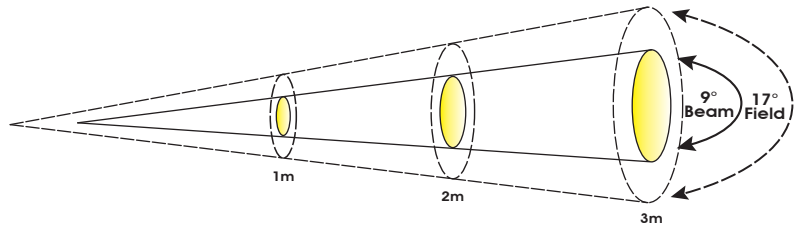
ELECTRICAL / THERMAL

- Max Power Consumption: pending
- 14°F to 113°F (-10°C to 45°C)

INCLUDED ITEMS

- (6) Volt Q5E™ Units, (6) IP to DMX Data Input Cables
- (6) Omega Brackets, (6) Safety Cables,
- (6) Magnetic Frost Filters, (1) powerCON Cable

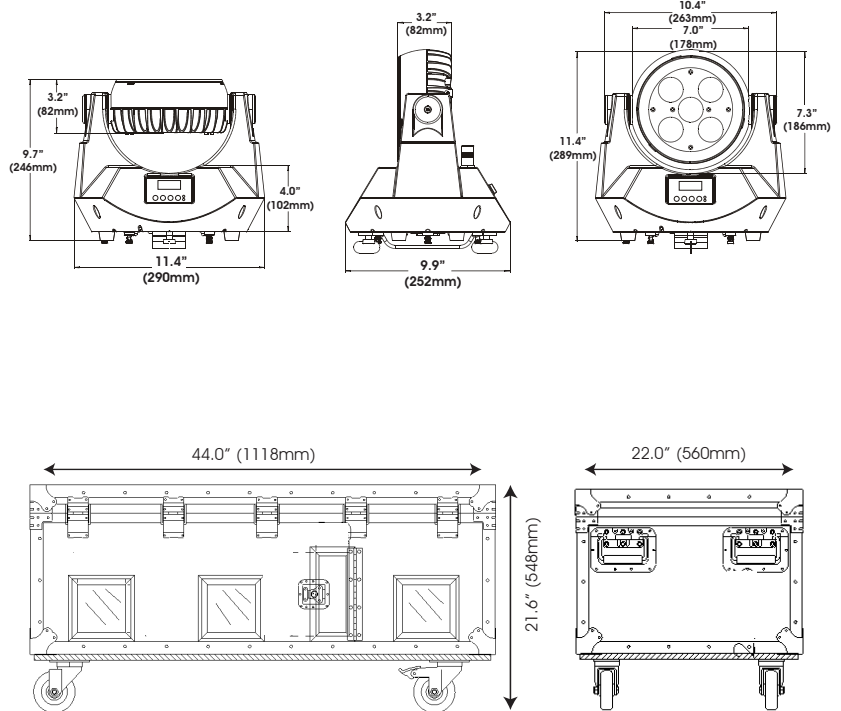
PHOTOMETRIC DATA



	m	ft	m	ft	m	ft
Distance	1	3.3	2	6.6	3	9.8
9° Beam Diameter	0.17	0.6	0.34	1.1	0.51	1.7
17° Field Diameter	0.31	1.0	0.62	2.0	0.93	3.1

Photometrics	lux	fc	lux	fc	lux	fc
RED LEDs	8,100	752	2,080	193	940	87
GREEN LEDs	11,970	1,112	3,270	304	1,488	138
BLUE LEDs	1,660	154	470	44	212	20
WHITE LEDs	20,790	1,931	5,345	497	2,430	226
FULL ON	38,450	3,572	10,320	959	4,710	438

DIMENSIONAL DIAGRAMS



OPTIONAL ACCESSORIES

ORDER CODE	ITEM
TRIGGER CLAMP	Heavy Duty Wrap Around Hook Style Clamp
EWDM001	EWDMX IP Wireless IP65 DMX Transceiver
VOLT/3MDLC	Volt Series 9.8 ft (3m) 3pin IP Male to 3pin IP Female DATA LINK Cable
VOLT/DIAC	Volt Series 9.8 ft (3m) 3pin IP Female to 3pin DMX Male DATA INPUT Cable
VOLT/DOAC	Volt Series 9.8 ft (3m) 3pin IP Female to 3pin DMX Female DATA Output Cable
VOLT113	Volt Q5 Six Pack Charging Road Case (Empty Case Only)