

SOLAR LED LIGHT

NEW PAVIMENTO



- Cod. SP#0100** NEW PAVIMENTO DOUBLE LED RED - FLASH
- Cod. SP#0114** NEW PAVIMENTO DOUBLE YELLOW LED - ON
- Cod. SP#0116** NEW PAVIMENTO DOUBLE WHITE LED - ON
- Cod. SP#0119** NEW PAVIMENTO DOUBLE RED LED - ON
- Cod. SP#0120** NEW PAVIMENTO DOUBLE YELLOW LED - FLASH
- Cod. SP#0121** NEW PAVIMENTO DOUBLE WHITE LED - FLASH
- Cod. SP#0122** NEW PAVIMENTO DOUBLE RED/WHITE LED -FLASH



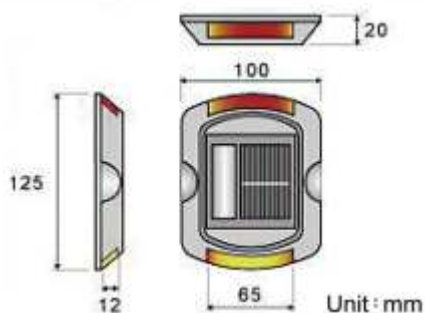
Features:

- Built-in solar panel and rechargeable battery for maintenance free system.
- LED diode for long operating life.
- No re-lamp required.
- No maintenance required.
- The lamp only needs 2-4 hours of exposure in the sun/light to be fully recharged.
- It can work for 100 hours when recharged a 100%.
- Aluminum alloy casing designed for durability.
- Single-side or double-side illuminating configurations.
- Installation on ground/surface. "Pavement"
- Immediate function.
- High visibility, up to 200 meter, at night and under the worst weather conditions.

Applications:

- Walkway
- Airport Taxiway
- Curved roadway
- For signaling stairs/gangways for outdoor concerts and performances.
- Division indicator for traffic directions.
- Bicycle track.
- As a warning in places with danger, for peoples safety.

Technical data



Kg. 0,400

Technical Specifications

Solar Pannel	Type	Single-crystal silicon
	Voltage	2.5 V
	Current	110/126 mA
	Dimensions (cm)	5.4 x 4.3
Battery	Material	Nichel-Cadmio
	Voltage	1.2 V
	Current	1800 mA
LED	Diameter	5 mm
	N°LED	3 o 6
	Flash rate	360 flash/ min ±20%
	Operation time	At night