



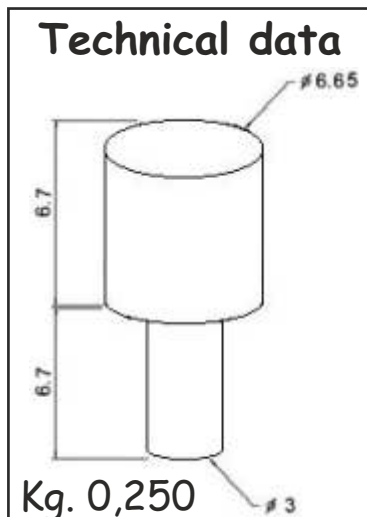
# SOLAR LED LIGHT

## Conico



**Cod. SP0010**  
**Cod. SP0011**

- Red LED  
- Yellow LED



Technical specifications		
Solar Pannello	Type	Single-crystal silicon
	Voltage	1 V
	Current	220 mA
Battery	Material	Nichel-Cadmio
	Voltage	1.45 V
	Current	1.3 AH
LED	Diameter	ø5
	N°LED	2
	Flash rate	120 flash/ min ±20%
	Operation time	At night

### Features:

- Built-in solar cell, and integrated long-life rechargeable battery, in order to obtain a free maintenance lighting system;
- Hi-power LED diodes;
- No LED diodes replacement is required;
- 100% total free maintenance device;
- Full recharging of the battery by the exposure of the device for about 2-3 hours in day-light;
- Up to 110 hours of full autonomy operation without battery recharging;
- Available with a circular-side lighting support;
- Increasing of critical night visibility of danger zones in case of bad weather conditions, like: fog/rain/humidity;
- On-site immediate installation, and direct operation of the device;
- Over 100 meters of flashing detection, also in case of bad weather conditions.

### Applications:

- Roadwork and/or traffic car accident for an easier optical information of the proceeding vehicles;
- Critical areas and Dangers like buildings and on-the-road construction zones;
- Warning advising of critical open places, pedestrian warning, etc.;

