

TRUE BLUE T1 1000W



<u>Part no.</u>	<u>Description</u>
L3.39610.B	manual, blue/silver
L3.39615.B	manual, black
L3.39610.I	pole operated, blue/silver
L3.39610.D	manual, blue/silver with Schuko plug
L3.79615.D	manual, black with Schuko plug

All the above are supplied with four leaf barndoor and filter frame

Accessories

L2.39670.0	Four Leaf Barndoor, black, rotatable, 197mm
L2.39700.0	Eight Leaf Barndoor, black, rotatable, 197mm
L2.79690.0	Filter Frame 197 mm
L2.79680.0	Variable Snoot
L2.88013.0	Set of 4 Scrims (without bag)
L2.88913.1	Scrim bag
L2.76977.0	Large Kit Stand

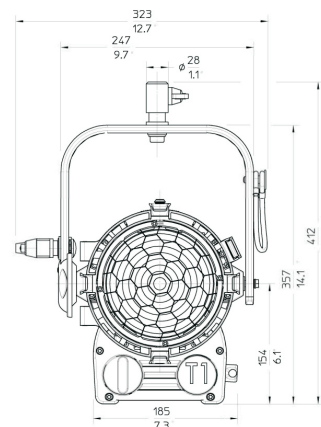


Lamps

88538 GE	1000W 240V G22 FKJ CP40(CP/71) 3200°K 250 hours
6995Z PHILIPS	1000W 230V G22 FKJ CP/71 3200°K 240 hours

Specifications

Weight	5.5Kg manual, 7.5 Kg pole op
Cable	3m with inline switch manual, 1.5m with P.O.
Lens Diameter	150 mm (5.9")
Reflector	Spherical specular high purity aluminium
Lampholder	G22
Mounting	Combination mount (16mm receptable (5/8")/28mm (1 1/8") spigot) on manual versions, 28mm (1 1/8") spigot on P.O. versions
Packed Size	390x390x360 mm
Protection Class	IP 23
Certification	NRTL-US-C, CE, TUV GC, CB



Photometric Data with Lamp CP/71

Throw (m):	4	6	8
Spot:10°	133450 cd		
Output (lux)	8341	3707	2085
Diameter (m)	0.7	1.0	1.4
Medium:30°	38700 cd		
Output (lux)	2419	1075	605
Diameter (m)	2.1	3.2	4.3
Flood:54°	20275 cd		
Output (lux)	1267	563	317
Diameter (m)	4.1	6.1	8.2

