

## Technical Information

No. 6016

Edition: 07/18 – subject to change

Substitutes: new

Status: valid

## Mercury Discharge Lamp

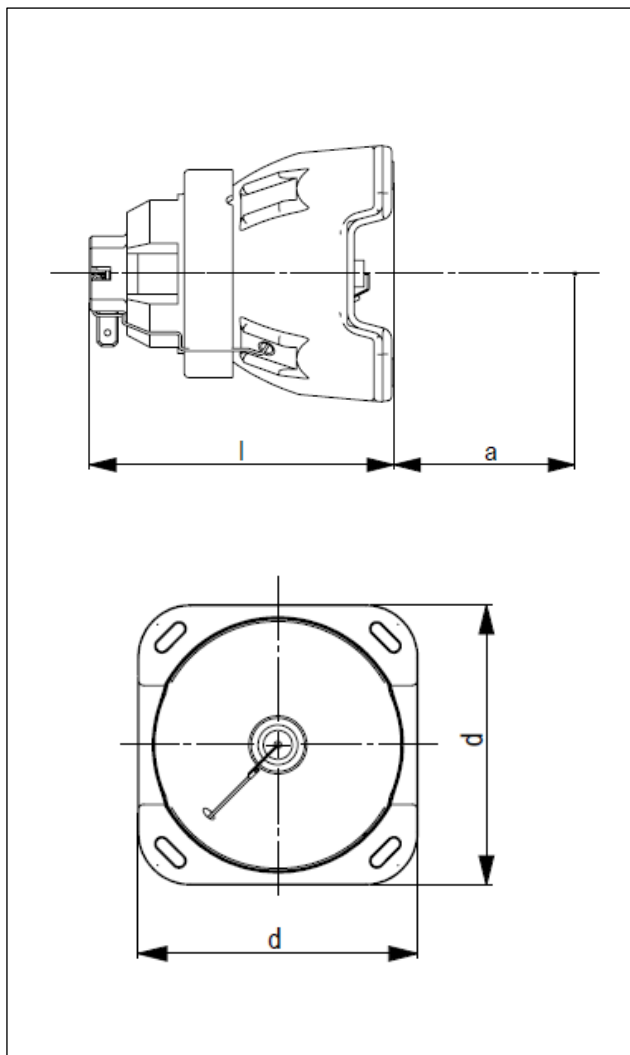
# SIRIUS HRI<sup>®</sup> 440W X

### ■ Product description

The OSRAM SIRIUS HRI<sup>®</sup> 440W X with its focusing dichroic reflector is highly efficient and optimized for entertainment fixtures. The distance between the reflector's alignment plane and the second focal point (working distance) is 41mm. Main applications of the SIRIUS HRI<sup>®</sup> 440W X are moving head projectors.

### ■ Technical data

Order reference	SIRIUS HRI <sup>®</sup> 440W X	
Rated lamp wattage	W	440W
Rated lamp voltage	V	83
Rated lamp current (square)	A	5,3
Ignition voltage (cold/hot)	kVs	2,5
Color temperature	K	7000
Electrode gap	mm	1.3
Lamp length (overall) l	mm	71
Reflector diameter d	mm	58
Working distance a	mm	41
Average service life	h	1500
Initial luminous flux (through aperture d8 mm)	lm	22000
CRI		80



### ■ Lamp operation

Burning position	any
Electrical connection	Tyco FASTON 187 compatible tab terminal
Cooling	forced cooling required (refer to system specification)
Lamp driver	For best luminous efficiency and maintenance results, the SIRIUS HRI <sup>®</sup> 440Wx should be operated only with PT-SIRIUS 440W lamp driver.

Distributed by AMLUX srl, 46042, Castel Goffredo (MN), info@amlux.it, www.amlux.it