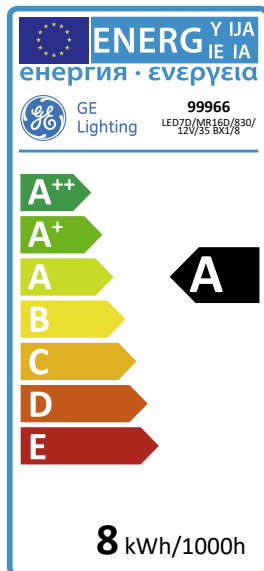




GE
Lighting



8
kWh/1000h

A
energy class

56
lumens/watt

GE Precise™ MR16 Dimmable

LED7D/MR16D/830/12V/35 BX1/8

99966

Product information

GE's newest LED technology surpasses current market expectations for MR16 performance. Improved lumen output and an outstanding 45,000 hours life rating for a high quality halogen MR16 replacement. Available in three colour temperatures and two beam angles. The new Constant Colour™ 35W has a smooth heat sink and provide high colour consistency within 4 steps on the MacAdam ellipse. The new 50W has up to 15% higher lumen output.

Application areas

- Retail
- Office
- Hospitality
- Home



Prodotti commercializzati da:
AMLUX s.r.l.
46042 Castel Goffredo (MN)
info@amlux.it - www.amlux.it



Product data

Product Code	99966
Bulb Shape	Mirrored reflector
Bulb Finish	Diffuse
Bulb Diameter [mm]	50
Maximum Overall Length [mm]	50
Net weight per piece [g]	60
Gross weight per piece [g]	70
Brand	General Electric (GE)
Cap/Base	GU5.3

Performance data

Colour consistency	6 steps
Nominal beam angle [°]	35
Rated beam angle [°]	35
Nominal center beam candlepower (CBCP) [cd]	1100
Rated peak intensity in [Cd]	1100
Rated Lumens [lm]	390
Weighted energy consumption [kWh/1000h]	7.7
Nominal useful lumens [lm]	355
Useful lumens (at 90° cone) [lm]	410
Rated useful lumens [lm]	355
Energy efficiency class (EEC)	A
Rated Life [h]	25000
Rated life L70/B50 [h]	25000
Nominal correlated colour temperature (CCT) [K]	3000
Nominal lumens [lm]	390
Colour Rendering Index (CRI) [Ra]	83

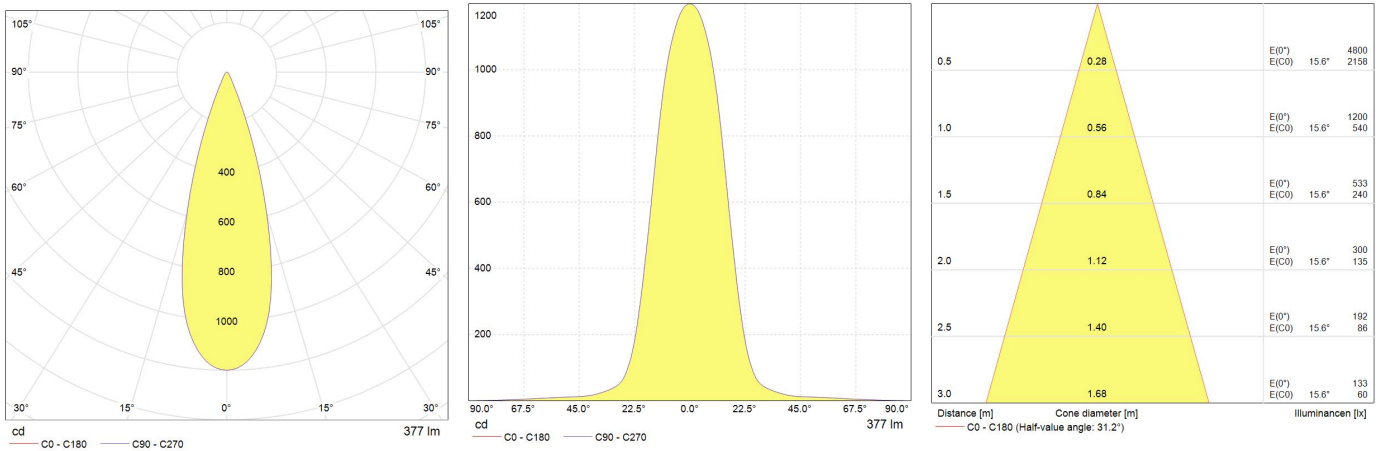
Electrical data

Nominal lamp power factor..	0.85
Rated power [W]	7.0
Lamp Current [A]	0.62
Run-up time (sec)	<0.5
Starting time (sec)	<0.5
Number of switching cycles	50000
Dimming Capability	Yes
Nominal power [W]	7
Nominal lamp voltage [V]	12

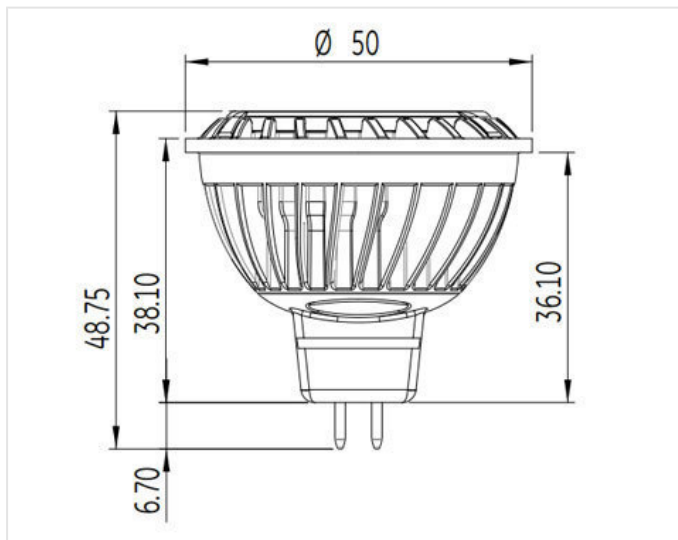
Logistic data

DUN Code	10043168999660
EAN Code	0043168999663
Pack Quantity	8
Inner pack type	BOX
Outer pack type	TRAY OUTER
Layer quantity	216 EUR, 288 UK
Layer quantity EUR	216
Layer quantity UK	288
Pallet quantity EUR (PC)	2808
Pallet quantity UK (PC)	3744
Outer case size	239 x 121 x 65 (mm)
Product status	Phased-out

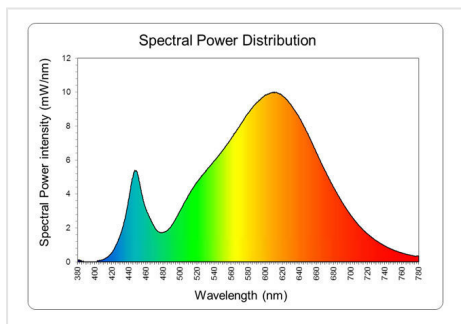
Photometric Data



Technical drawing



Spectral distribution



Downloads & Links

[Go to the catalog site \(HTTP\)](#)

[Photometry \(IES\)](#)

[Transformer compatibility \(HTTP\)](#)

[LED Lighting Solutions - Catalogue \(PDF\)](#)

[LED MR16 7W, 7XW Dimmable Gen2 Datasheet \(PDF\)](#)

[Dimming compatibility \(HTTP\)](#)

[Lighting design tools & calculators \(HTTP\)](#)

[MR16 range Datasheets \(HTTP\)](#)

[GE Precise™ MR16 Dimmable range images \(HTTP\)](#)

[Certificate for the Quality Management System of GE Lighting EMEA \(PDF\)](#)

[Certificate for the Environmental Management System of GE Lighting EMEA \(PDF\)](#)