

Product datasheet

Article no.: 565318

Built in ceiling lamp, Acrux 145, Traffic white RAL 9016, 220-240V AC/50-60Hz, 17,00 W, warm white + neutral white + coldwhite

Technical Data

General Characteristics

Material	plastic
Colour	Traffic white RAL 9016
Optics	
included in delivery	switch, 1x cover stainless steel finish



Electrical Characteristics

Power / power consumption	17,00 W / 17,00 W
input voltage	220-240V AC/50-60Hz
input current	130 mA
Base (standard designation)	
Number of bases	
Power supply unit	incl. LED-power supply unit
Electronically reversible	leading edge or trailing edge, CCT dip
Connection possibility	clamp
Protection class I, II, III	II

Light Technical Data

Bulb	LED-module fixed
Colour Designation	warm white + neutral white + coldwhite
Colour temperature	3000/4000/6000 K
Luminous flux	1570 lm
Beam angle	90°
LED type	SMD
LED quantity	35
Spectral power distribution	479-583 nm



10.09.2019

Errors and technical data are subject to change without notice.

Product datasheet

Article no.: 565318

Built in ceiling lamp, Acrux 145, Traffic white RAL 9016, 220-240V AC/50-60Hz, 17,00 W, warm white + neutral white + coldwhite

Light Direction

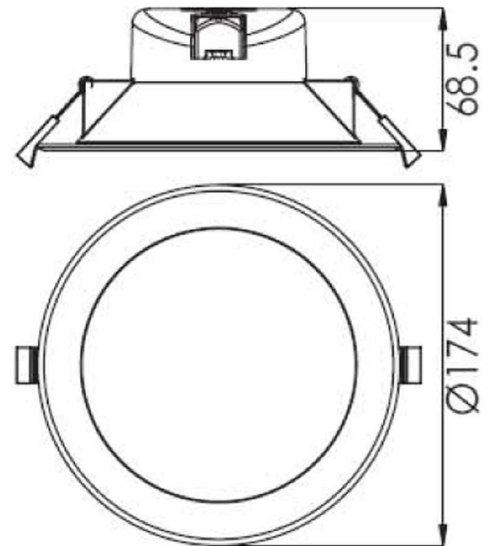
Rotating and tilting range	fixed
Angle of inclination	
Radiation direction	
Reflector / lense	symmetrisch

Dimensions & Weight

Length	
Width	
Height	68,5 mm
Diameter	174,0 mm
Mounting Depth	63,0 mm
Product Weight	300 g

Cut-out dimensions

Length	
Width	
Diameter	145 mm



Product datasheet

Article no.: 565318

Built in ceiling lamp, Acrux 145, Traffic white RAL 9016, 220-240V AC/50-60Hz, 17,00 W, warm white + neutral white + coldwhite

Absolute maximum ratings

The LED will get damaged and the lifetime will decrease when you overrun absolute maximum ratings.

Working temperature	-5°C - +40°C
Storage temperature	-10°C - +40°C
IP - Code	IP20

General product data

Environmental Characteristics

Energy label	A+
Energy consumption	17 kWh/1000h

Lifespan

Lamp life time	30000 h
Luminous flux (end of lifetime)	0,70
Number of switching cycles	15000

IP20 Protection against penetration of foreign objects > 50 mm. No protection against penetration of water.



Lightings of Protection Class II in which the protection against electric shock is not based solely on the insulation, but additional safety precautions such as additional or reinforced insulation are provided. There are no provisions for the connection of an equipment grounding conductor exists, yet underlying the protection of the facility conditions.



Because of the complex manufacturing process of the LED the above shown data are just a statistical size, which is not forced to be the realistic data of every LED.



The light source of this luminaire may only be replaced by the manufacturer or by a service technician appointed by him or by a comparable qualified person