



# MASTERColour CDM-Tm Mini PGJ5

## MASTERColour CDM-Tm Mini 35W/930 PGJ5 1CT/12

Mini, single-ended, high-efficiency Ceramic Metal Halide discharge lamp producing crisp white sparkling light

### Product data

General Information	
Cap-Base	PGJ5 [ PGJ5]
Operating Position	UNIVERSAL [ Any or Universal (U)]
Life to 5% Failures (Nom)	9000 h
Life To 10% Failures (Nom)	10000 h
Life to 20% Failures (Nom)	11000 h
Life to 50% Failures (Nom)	12000 h
Light Technical	
Color Code	930 [ CCT of 3000K]
Luminous Flux (Rated) (Nom)	3000 lm
Color Designation	Warm White (WW)
Lumen Maintenance 1000 h (Nom)	85 %
Lumen Maintenance 10000 h (Nom)	60 %
Lumen Maintenance 2000 h (Nom)	80 %
Lumen Maintenance 5000 h (Nom)	70 %
Chromaticity Coordinate X (Nom)	0.436
Chromaticity Coordinate Y (Nom)	0.396
Correlated Color Temperature (Nom)	3000 K
Luminous Efficacy (rated) (Nom)	77 lm/W
Color Rendering Index (Min)	88

Color Rendering Index (Nom)	91
Operating and Electrical	
Power (Rated) (Nom)	39.0 W
Lamp Current Run-Up (Max)	0.7 A
Re-Ignition Time (Min) (Max)	15 min
Ignition Time (Max)	30 s
Voltage (Max)	104 V
Voltage (Min)	88 V
Voltage (Nom)	96 V
Controls and Dimming	
Dimmable	No
Run-Up Time 90% (Max)	3 min
Mechanical and Housing	
Bulb Finish	Clear
Approval and Application	
Energy Efficiency Label (EEL)	A
Mercury (Hg) Content (Nom)	2.74 mg

## MASTERCcolour CDM-Tm Mini PGJ5

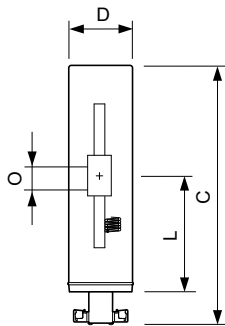
Energy Consumption kWh/1000 h	43 kWh
<b>UV</b>	
Pet (Niosh) (Min)	8 h/500lx
Damage Factor D/fc (Max)	0.4
<b>Luminaire Design Requirements</b>	
Bulb Temperature (Max)	480 °C
Cap-Base Temperature (Max)	250 °C
<b>Product Data</b>	
Full product code	871150021149115

Order product name	MASTERCcolour CDM-Tm Mini 35W/930 PGJ5 1CT/12
EAN/UPC - Product	8711500211491
Order code	928093905130
Numerator - Quantity Per Pack	1
Numerator - Packs per outer box	12
Material Nr. (12NC)	928093905130
Net Weight (Piece)	0.006 kg
ILCOS Code	MT/UB-35/930-H/L-PGJ5-13.3/52

### Warnings and Safety

- Use only in totally enclosed luminaire, even during testing (IEC61167, IEC 62035, IEC60598)
- The luminaire must be able to contain hot lamp parts if the lamp ruptures
- Use only with electronic control gear
- Control gear must include end-of-life protection (IEC61167, IEC 62035)
- For 20W PGJ5 lamp, use only Philips electronic control gear HID PV mini PGJ5 20W
- For 35W PGJ5 lamp, use only Philips electronic control gear HID PV mini PGJ5 35W
- A lamp breaking is extremely unlikely to have any impact on your health. If a lamp breaks, ventilate the room for 30 minutes and remove the parts, preferably with gloves. Put them in a sealed plastic bag and take it to your local waste facilities for recycling. Do not use a vacuum cleaner.

### Dimensional drawing

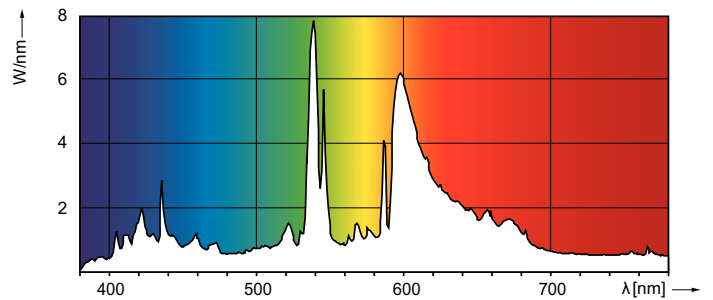
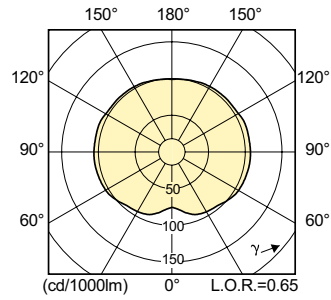
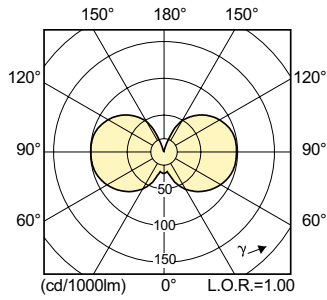


CDM-Tm 35W/930 PGJ5

Product	D (max)	D	O	L (min)	L (max)	L	C (max)
MASTERCcolour CDM-Tm Mini 35W/930 PGJ5 1CT/12	13.3 mm	0.44 in	4 mm	22.3 mm	22.9 mm	22.6 mm	52 mm

# MASTERColour CDM-Tm Mini PGJ5

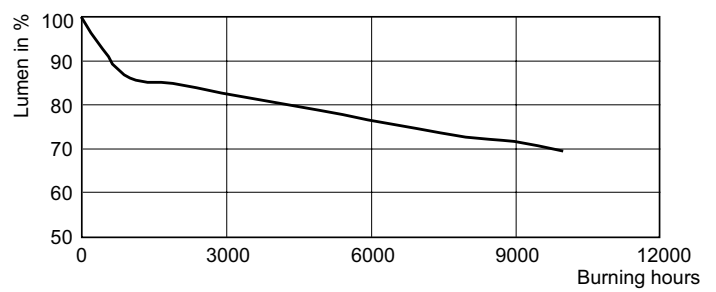
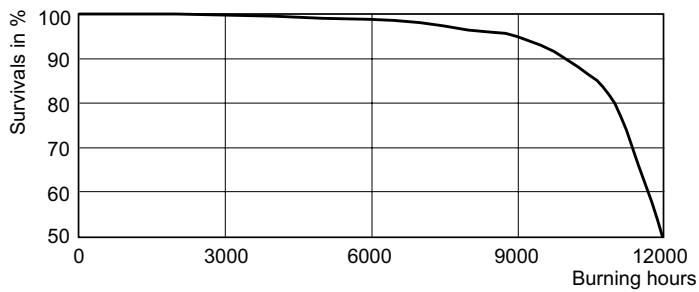
## Photometric data



CDM-Tm 35W /930 PGJ5

MASTERColour CDM-Tm Mini /830 & /930

## Lifetime



CDM-Tm Elite 35W Life Expectancy /930 PGJ5

CDM-Tm Elite 35W Lumen Maintenance /930 PGJ5



© 2019 Signify Holding All rights reserved. Signify does not give any representation or warranty as to the accuracy or completeness of the information included herein and shall not be liable for any action in reliance thereon. The information presented in this document is not intended as any commercial offer and does not form part of any quotation or contract, unless otherwise agreed by Signify. Philips and the Philips Shield Emblem are registered trademarks of Koninklijke Philips N.V.

[www.lighting.philips.com](http://www.lighting.philips.com)

2019, July 1 - data subject to change

Distributed by AMLUX srl, 46042, Castel Goffredo (MN), [info@amlux.it](mailto:info@amlux.it), [www.amlux.it](http://www.amlux.it)