



MASTER VALUE LEDs pot LV

MAS LEDspotLV D 7-35W 927 MR16 36D

Delivering a warm, halogen-like accent beam, MASTER LEDspot LV is an ideal retrofit solution for spot and general lighting applications in the hospitality industry. It is particularly suited to public areas such as receptions, lobbies, corridors, stairwells and washrooms, where the light is on all the time. The robustly designed MASTER LEDspot offers a choice of beam angles for a clearly defined beam spread. There is no UV or IR in the beam, making it suitable for illuminating heat-sensitive objects (food, organic materials, paintings, etc.). The patented intelligent driver enables broad compatibility with existing electromagnetic and electronic halogen transformers. The dimmable versions drive further efficiencies, while helping to create the desired atmosphere.

Product data

General Information		Correlated colour temperature (nom.)	
Cap base	GU5.3 [GU5.3]		2700 K
Nominal lifetime (nom.)	40000 h	Luminous efficacy (rated) (nom.)	57.14 lm/W
Switching cycle	50000X	Colour consistency	<6
Technical type	7-35W	Color rendering index (nom.)	90
		LLMF at end of nominal lifetime (nom.)	70 %
		Luminous Flux in 90° Cone (Rated)	400 lm
Light Technical		Operating and Electrical	
Colour code	927	Power (Rated) (Nom)	7 W
Beam Angle (Nom)	36°	Lamp current (nom.)	720 mA
Light distribution	36D [Medium beam]	Wattage equivalent	35 W
Luminous flux (nom.)	400 lm	Starting time (nom.)	0.5 s
Luminous flux (rated) (nom.)	400 lm	Warm-up time to 60% light (nom.)	1 s
Luminous intensity (nom.)	1150 cd	Power factor (nom.)	0.7
Colour designation	Warm white (WW)		
Rated beam angle	36°		

MASTER VALUE LEDspot LV

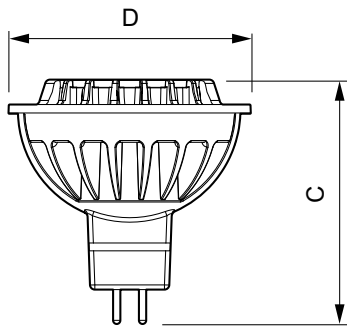
Voltage (Nom)	12 V
Temperature	
T-Case maximum (nom.)	92 °C
Controls and Dimming	
Dimmable	Yes
Approval and Application	
Energy efficiency label (EEL)	A
Energy-saving product	Yes
Suitable for accent lighting	Yes
Energy Consumption kWh/1000 h	8 kWh

Product Data	
Full product code	871869665925000
Order product name	MAS LEDspotLV D 7-35W 927 MR16 36D
EAN/UPC – product	8718696659250
Order code	65925000
Numerator – quantity per pack	1
Numerator – packs per outer box	10
Material no. (12NC)	929001153132
Net weight (piece)	0.045 kg

Warnings and Safety

- Operating temperature range is between -20° C and 45° C ambient
- Only to apply in dry or damp locations and most of open fixtures with lamp-holders that offer sufficient space (10 mm free air space)
- Not intended for use with emergency light fixtures or exit lights

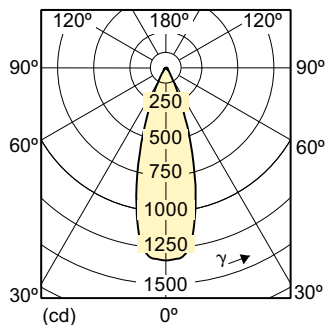
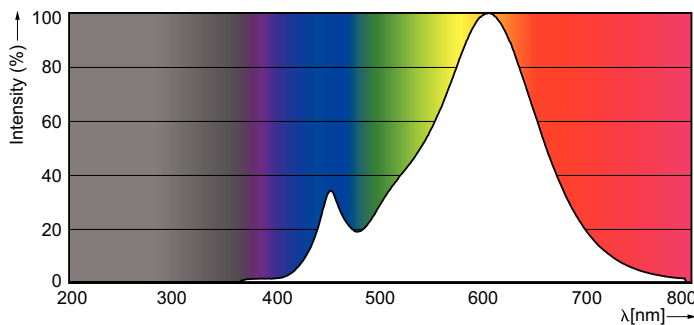
Dimensional drawing



LED D 7-35W 827 MR16 36D

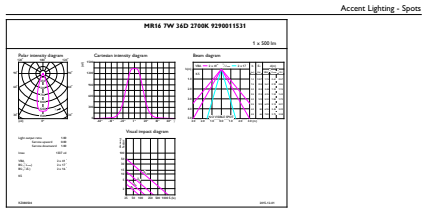
Product	D	C
MAS LEDspotLV D 7-35W 927 MR16 36D	51 mm	51 mm

Photometric data



MASTER VALUE LEDspot LV

Photometric data



LEDspot 7-35W MR16 GU5.3 2700K 420lm 36D

