

Product datasheet

Article no.: 948122

Built in ground lamp, Durolight MR16, silver, 12V AC/DC, 1x max. 35,00 W



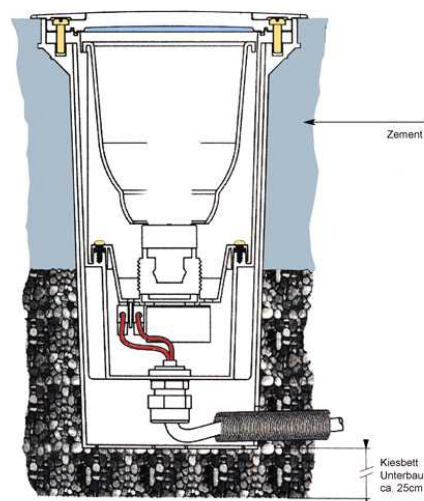
Technical Data

General Characteristics

Material	stainless steel
Colour	silver
Optics	
included in delivery	installation housing

Electrical Characteristics

Power	1x max. 35,00 W
Input voltage	12V AC/DC
Input current	
Base (standard designation)	GU5.3 / MR16
Number of bases	1
Power supply unit	excl. transformer
Connection possibility	clamp
Protection class I, II, III	III



18.12.2017

Errors and technical data are subject to change without notice.

Product datasheet

Article no.: 948122

Built in ground lamp, Durolight MR16, silver, 12V AC/DC, 1x max. 35,00 W



Light Direction

Rotating and tilting range	fixed
Angle of inclination	0°
Radiation direction	
Reflector / lense	symmetrisch

Dimensions & Weight

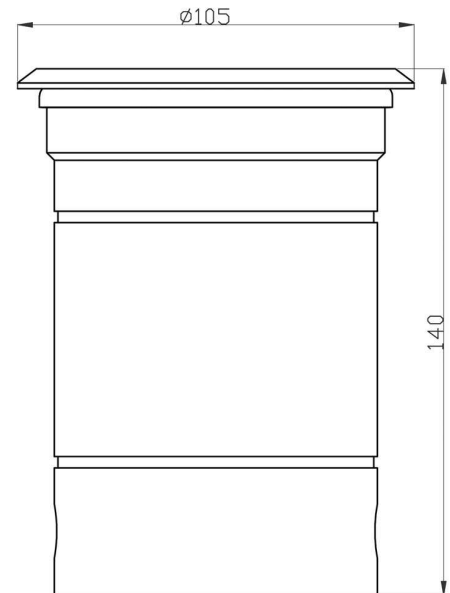
Length	
Width	
Height	140 mm
Diameter	105 mm
Mounting Depth	140 mm
Product Weight	766 g
Bearing capacity	max. 1000

Cut-out dimensions

Length	
Width	
Diameter	93 mm

Mounting Bowl

Material	plastic
Length	
Width	
Height	
Diameter	



Product datasheet

Article no.: 948122

Built in ground lamp, Durolight MR16, silver, 12V AC/DC, 1x max. 35,00 W



Absolute maximum ratings

Working temperature	-20°C - +40°C
Storage temperature	-20°C - +40°C
foreseen application	walkable - 5 kN
IP - Code	IP67



Maximum surface temperature 80°C

EEL

The luminaire is suitable for lamps of energy efficiency classes A++ to E.

IP67

Protection against penetration of dust. (complete dust protection) Protection against temporary immersion.



Lightings of Protection Class III

Luminaire in which protection against electric shock relies on supply at safety extra-low voltage (SELV) and in which voltages higher than those of SELV are not generated.



Because of the complex manufacturing process of the LED the above shown data are just a statistical size, which is not forced to be the realistic data of every LED.