

Product datasheet

Article no.: 785012

Built in ground lamp, Bodeneinbauleuchte II CW, silver, 220-240V AC/50-60Hz, 3,00 W, coldwhite



Technical Data

General Characteristics

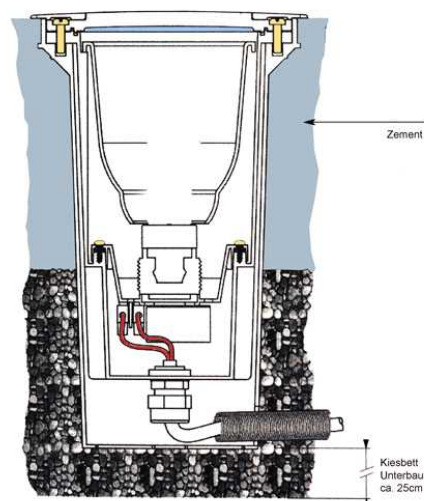
Material	stainless steel
Colour	silver
Optics	
included in delivery	installation housing 0,5 m connection cable

Electrical Characteristics

Power / power consumption	3,00 W / 4,50 W
Input voltage	220-240V AC/50-60Hz
Input current	
Base (standard designation)	
Number of bases	
Power supply unit	incl. LED-power supply unit
Connection possibility	Connection box
Protection class I, II, III	I

Light Technical Data

Bulb	LED-module fixed
Colour Designation	coldwhite
Colour temperature	6000 K
Luminous flux	320 lm
Beam angle	30°
LED type	High Power
LED quantity	3
Spectral power distribution	



14.11.2017

Errors and technical data are subject to change without notice.

Product datasheet

Article no.: 785012

Built in ground lamp, Bodeneinbauleuchte II CW, silver, 220-240V AC/50-60Hz, 3,00 W, coldwhite



Light Direction

Rotating and tilting range	fixed
Angle of inclination	0°
Radiation direction	
Reflector / lense	symmetrisch

Dimensions & Weight

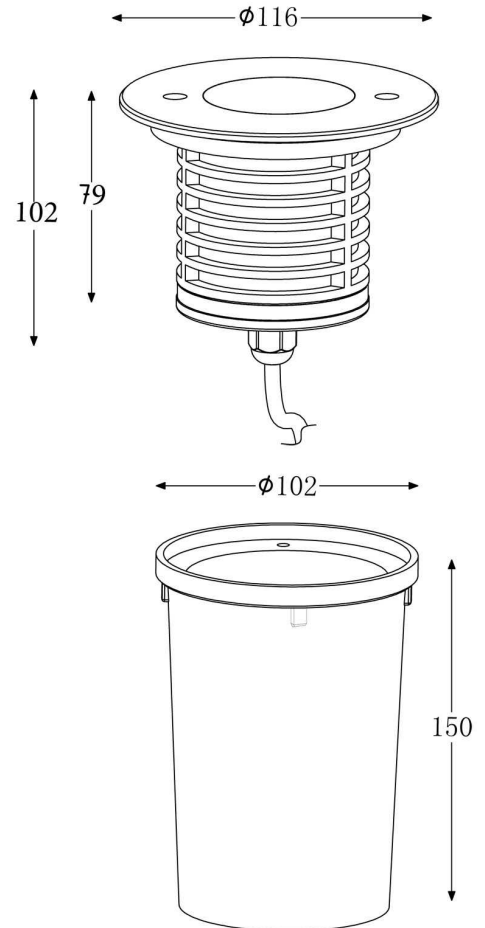
Length	
Width	
Height	102 mm
Diameter	116 mm
Mounting Depth	150 mm
Product Weight	1107 g
Bearing capacity	

Cut-out dimensions

Length	
Width	
Diameter	102 mm

Mounting Bowl

Material	plastic
Length	
Width	
Height	102 mm
Diameter	150 mm



Product datasheet

Article no.: 785012

Built in ground lamp, Bodeneinbauleuchte II CW, silver, 220-240V AC/50-60Hz, 3,00 W, coldwhite



Absolute maximum ratings

The LED will get damaged and the lifetime will decrease when you overrun absolute maximum ratings.

Working temperature	-20°C - +50°C
Storage temperature	-10°C - +60°C
foreseen application	drivable - 20 kN
IP - Code	IP 67

General product data

Environmental Characteristics

Energy label	A+
Energy consumption	5 kWh/1000h

Lifespan

Lamp life time	25000 h
Luminous flux (end of lifetime)	0,70
Number of switching cycles	100000

IP 67

Protection against penetration of dust. (complete dust protection) Protection against temporary immersion.



Lightings of Protection Class I in which the protection against electric shock is not based solely on isolation, but an additional safety measure contains such a way that accessible conductive parts are equipped with means for connection to the protective conductor of the fixed installation, so that in case of failure of the basic insulation exposed conductive parts cannot be active.



Because of the complex manufacturing process of the LED the above shown data are just a statistical size, which is not forced to be the realistic data of every LED.



The light source of this luminaire may only be replaced by the manufacturer or by a service technician appointed by him or by a comparable qualified person