

Article no.: 732001

Ground- / Wall- / Ceiling lamp, Quick 2, anthracite, 220-240V AC/50-60Hz, 1x max. 35,00 W



Technical Data

General Characteristics

Material	aluminum die casting
Colour	anthracite
Optics	
included in delivery	2,0 m connection cable



Electrical Characteristics

Power	1x max. 35,00 W
Input Voltage	220-240V AC/50-60Hz
Input current	
Base (standard designation)	GU10
Number of Bases	1
Power supply unit	
Connection possibility	Powerplug
Protection class I, II, III	I



Product datasheet

Article no.: 732001

Ground- / Wall- / Ceiling lamp, Quick 2, anthracite, 220-240V AC/50-60Hz, 1x max. 35,00 W



Light Direction

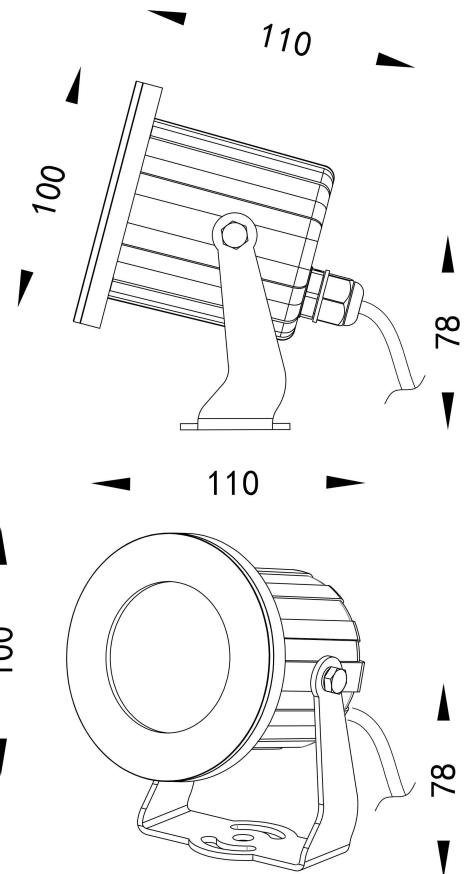
Rotating and tilting range	rotatable-swivel
Angle of inclination	
Radiation direction	
Reflector / lense	symmetrisch

Dimensions & Weight

Length	
Width	110 mm
Height	150 mm
Diameter	100 mm
Product Weight	586 g

Absolute maximum ratings

Working temperature	-20°C - +40°C
Storage temperature	-20°C - +40°C
IP - Code	IP 65



EEl The luminaire is suitable for lamps of energy efficiency classes A++ to E.

IP 65 Protection against penetration of dust. (complete dust protection) Protection against penetration of water jets.



Lightings of Protection Class I in which the protection against electric shock is not based solely on isolation, but an additional safety measure contains such a way that accessible conductive parts are equipped with means for connection to the protective conductor of the fixed installation, so that in case of failure of the basic insulation exposed conductive parts cannot be active.



Because of the complex manufacturing process of the LED the above shown data are just a statistical size, which is not forced to be the realistic data of every LED.