

# Product datasheet

## Article no.: 730380

Surface mounted wall lamp, Cubodo W, white, 220-240V AC/50-60Hz, 5,00 W, warmwhite



### Technical Data

#### General Characteristics

Material	aluminum die casting
Colour	white
Optics	
included in delivery	1 blend cap

#### Electrical Characteristics

Power / power consumption	5,00 W / 5,70 W
Input voltage	220-240V AC/50-60Hz
Input current	
Base (standard designation)	
Number of bases	
Power supply unit	incl. LED-power supply unit
Electronically reversible	not dimmable
Connection possibility	clamp
Protection class I, II, III	I

#### Light Technical Data

Bulb	LED-module fixed
Colour Designation	warmwhite
Colour temperature	3000 K
Luminous flux	270 lm
Beam angle	80°/40°
LED type	High Power
LED quantity	2
Spectral power distribution	582 nm



23.10.2017

Errors and technical data are subject to change without notice.

## Product datasheet

### Article no.: 730380

Surface mounted wall lamp, Cubodo W, white, 220-240V AC/50-60Hz, 5,00 W, warmwhite



#### Light Direction

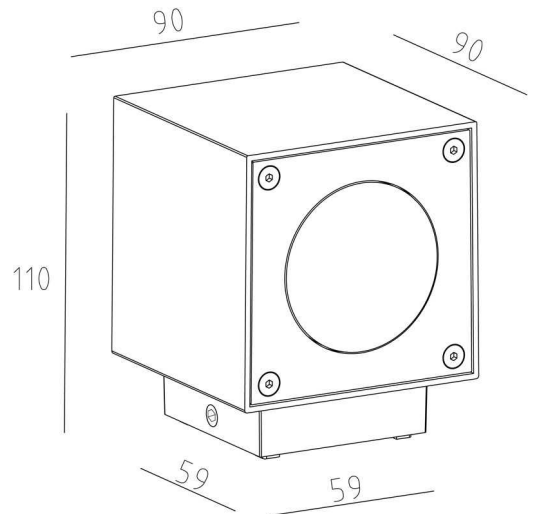
Rotating and tilting range	fixed
Angle of inclination	0°
Radiation direction	2 Side
Reflector / lense	symmetrisch

#### Dimensions & Weight

Length	90 mm
Width	110 mm
Height	90 mm
Diameter	
Suspensions from ceiling	
Product Weight	932 g

#### Base dimensions

Length	59 mm
Width	59 mm
Height	20 mm
Diameter	



# Product datasheet

## Article no.: 730380

Surface mounted wall lamp, Cubodo W, white, 220-240V AC/50-60Hz, 5,00 W, warmwhite



### Absolute maximum ratings

The LED will get damaged and the lifetime will decrease when you overrun absolute maximum ratings.

Working temperature	-20°C - +50°C
Storage temperature	-10°C - +60°C
IP - Code	IP 54

### General product data

#### Environmental Characteristics

Energy label	A
Energy consumption	6 kWh/1000h

#### Lifespan

Lamp life time	30000 h
Luminous flux (end of lifetime)	0,70
Number of switching cycles	100000

**IP 54** Protection against penetration of dust. (dust protected) Protection against penetration of splashing water.



Lightings of Protection Class I in which the protection against electric shock is not based solely on isolation, but an additional safety measure contains such a way that accessible conductive parts are equipped with means for connection to the protective conductor of the fixed installation, so that in case of failure of the basic insulation exposed conductive parts cannot be active.



Because of the complex manufacturing process of the LED the above shown data are just a statistical size, which is not forced to be the realistic data of every LED.



The light source of this luminaire may only be replaced by the manufacturer or by a service technician appointed by him or by a comparable qualified person