

# Product datasheet

## Article no.: 730110

Underwater lamp, Monsun II CW, silver, 24V DC, 24,00 W, coldwhite



### Technical Data

#### General Characteristics

Material	stainless steel
Colour	silver
Optics	
included in delivery	10,0 m connection cable

#### Electrical Characteristics

Power / power consumption	24,00 W / 24,00 W
Input voltage	24V DC
Input current	
Base (standard designation)	
Number of bases	
Power supply unit	excl. plug-in power supply unit
Connection possibility	Weipu Male
Protection class I, II, III	III

#### Light Technical Data

Bulb	LED-module fixed
Colour Designation	coldwhite
Colour temperature	6000 K
Luminous flux	950 lm
Beam angle	15°
LED type	High Power
LED quantity	12
Spectral power distribution	



14.11.2017

Errors and technical data are subject to change without notice.

# Product datasheet

## Article no.: 730110

Underwater lamp, Monsun II CW, silver, 24V DC, 24,00 W, coldwhite



### Light Direction

Rotating and tilting range	swivel
Angle of inclination	
Radiation direction	
Reflector / lense	symmetrisch

### Dimensions & Weight

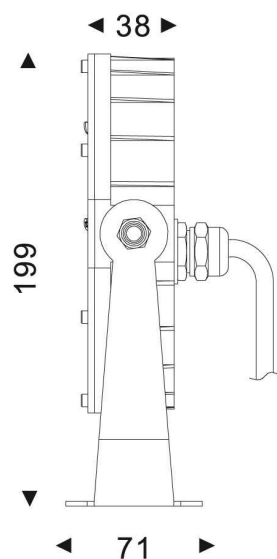
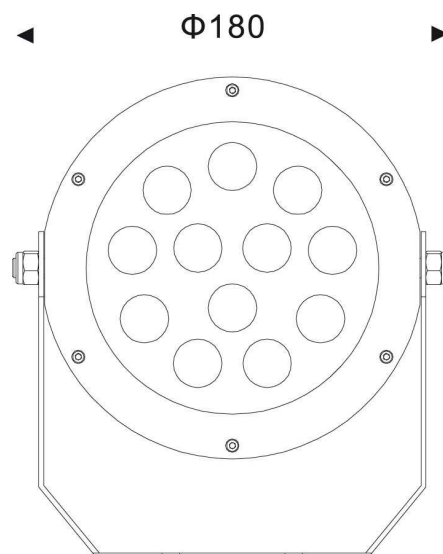
Length	199 mm
Width	180 mm
Height	71 mm
Diameter	180 mm
Mounting Depth	
Product Weight	3521 g
Bearing capacity	

### Cut-out dimensions

Length	
Width	
Diameter	

### Mounting Bowl

Material	
Length	
Width	
Height	
Diameter	



# Product datasheet

## Article no.: 730110

Underwater lamp, Monsun II CW, silver, 24V DC, 24,00 W, coldwhite



### Absolute maximum ratings

The LED will get damaged and the lifetime will decrease when you overrun absolute maximum ratings.

Working temperature	-20°C - +50°C
Storage temperature	-10°C - +60°C
IP - Code	IP 68

### General product data

#### Environmental Characteristics

Energy label	A
Energy consumption	24 kWh/1000h

#### Lifespan

Lamp life time	25000 h
Luminous flux (end of lifetime)	0,70
Number of switching cycles	100000

**IP 68** Protection against penetration of dust. (complete dust protection) Protection against permanently immersion. IP rating refers only to the light.



This lamp is only suitable for underwater operation. Any other use will damage the product.



Lightings of Protection Class III  
Luminaire in which protection against electric shock relies on supply at safety extra-low voltage (SELV) and in which voltages higher than those of SELV are not generated.



Because of the complex manufacturing process of the LED the above shown data are just a statistical size, which is not forced to be the realistic data of every LED.



The light source of this luminaire may only be replaced by the manufacturer or by a service technician appointed by him or by a comparable qualified person