

Product datasheet

Article no.: 100133

Built in ground lamp, Build in ground lamp I WW, silver, 24V DC, 5,80 W, warmwhite



Technical Data

General Characteristics

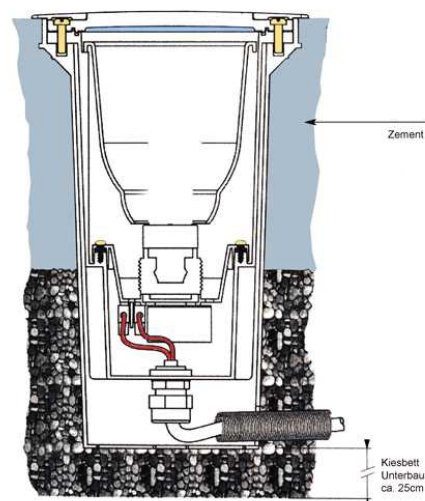
Material	stainless steel
Colour	silver
Optics	
included in delivery	installation housing 1,0 m connection cable

Electrical Characteristics

Power / power consumption	5,80 W / 5,80 W
Input voltage	24V DC
Input current	
Base (standard designation)	
Number of bases	
Power supply unit	excl. plug-in power supply unit
Connection possibility	Weipu Male
Protection class I, II, III	III

Light Technical Data

Bulb	LED-module fixed
Colour Designation	warmwhite
Colour temperature	3000 K
Luminous flux	370 lm
Beam angle	45°
LED type	High Power
LED quantity	3
Spectral power distribution	582 nm



14.11.2017

Errors and technical data are subject to change without notice.

Product datasheet

Article no.: 100133

Built in ground lamp, Built in ground lamp I WW, silver, 24V DC, 5,80 W, warmwhite



Light Direction

Rotating and tilting range	fixed
Angle of inclination	0°
Radiation direction	
Reflector / lense	symmetrisch

Dimensions & Weight

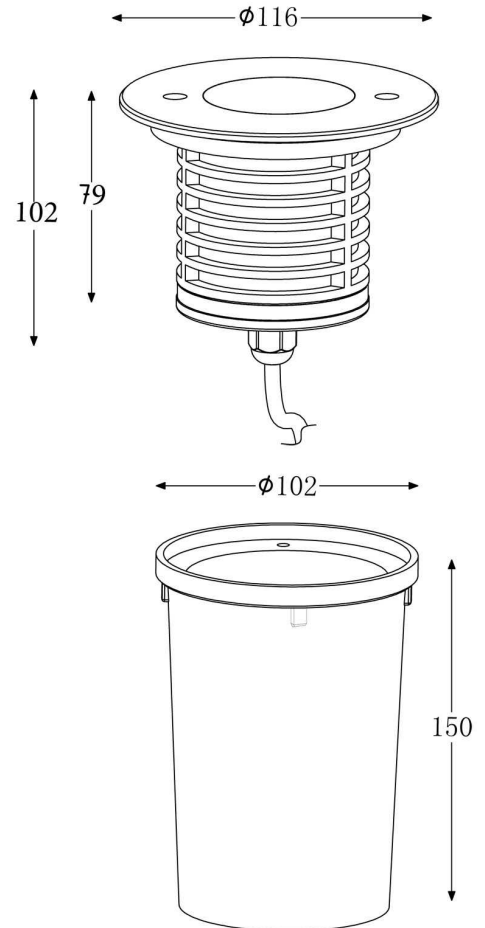
Length	
Width	
Height	102 mm
Diameter	116 mm
Mounting Depth	150 mm
Product Weight	1023 g
Bearing capacity	2000 kg

Cut-out dimensions

Length	
Width	
Diameter	102 mm

Mounting Bowl

Material	plastic
Length	
Width	
Height	150 mm
Diameter	102 mm



Product datasheet

Article no.: 100133

Built in ground lamp, Build in ground lamp I WW, silver, 24V DC, 5,80 W, warmwhite



Absolute maximum ratings

The LED will get damaged and the lifetime will decrease when you overrun absolute maximum ratings.

Working temperature	-20°C - +40°C
Storage temperature	-10°C - +60°C
foreseen application	drivable - 20 kN
IP - Code	IP 67

General product data

Environmental Characteristics

Energy label	A+
Energy consumption	6 kWh/1000h

Lifespan

Lamp life time	25000 h
Luminous flux (end of lifetime)	0,70
Number of switching cycles	100000

IP 67 Protection against penetration of dust. (complete dust protection) Protection against temporary immersion.



Lightings of Protection Class III
Luminaire in which protection against electric shock relies on supply at safety extra-low voltage (SELV) and in which voltages higher than those of SELV are not generated.



Because of the complex manufacturing process of the LED the above shown data are just a statistical size, which is not forced to be the realistic data of every LED.



The light source of this luminaire may only be replaced by the manufacturer or by a service technician appointed by him or by a comparable qualified person