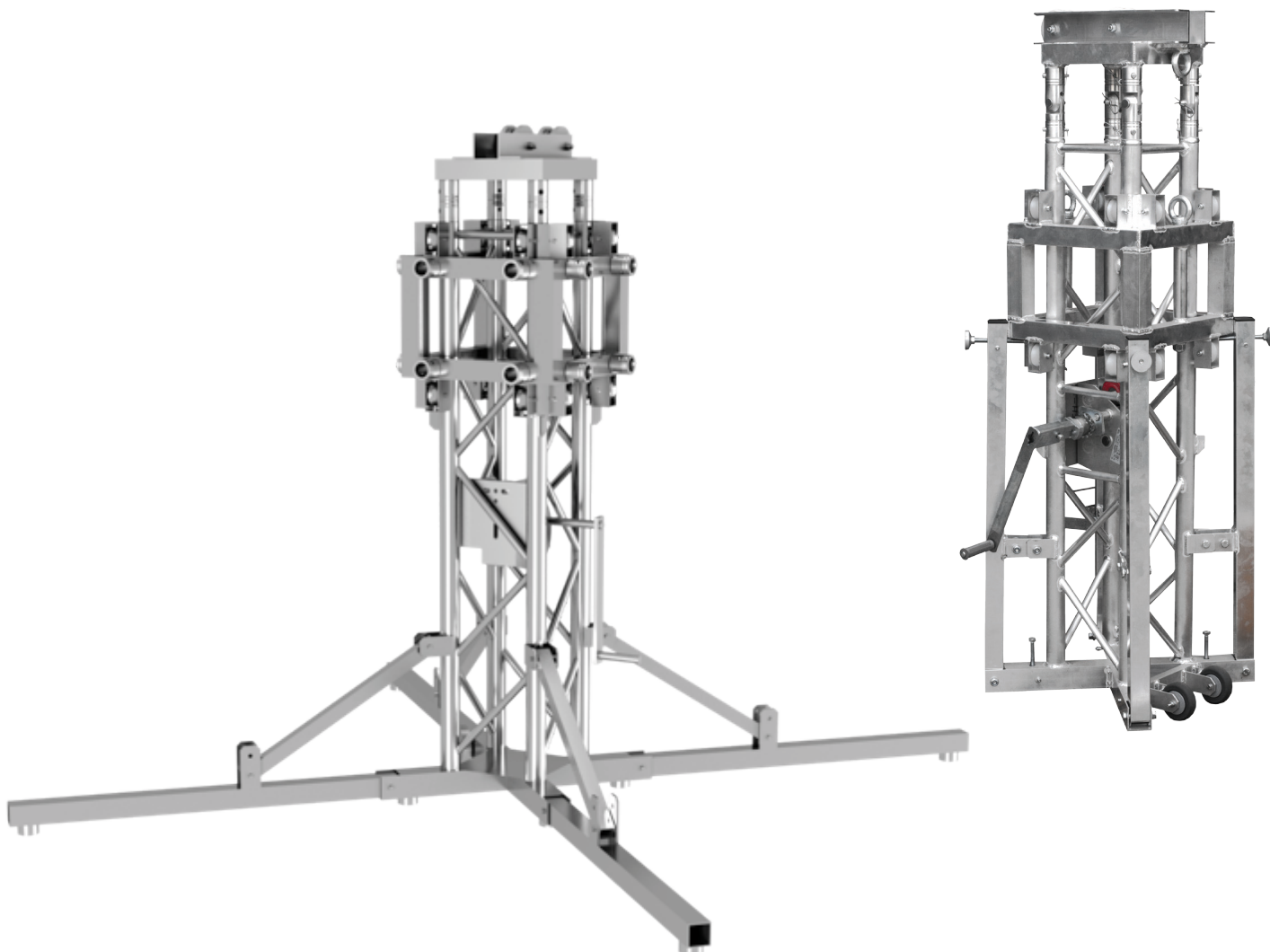


DT 34/3 FLEX TOWER



Part list:

DT 34/3 FLEX TOWER

Code: 1733000042

| PC. | Model |
|-----|--------------------------------|
| 1 | Sleeve Blok |
| 4 | Long Outtrigger+ leveling legs |
| 1 | Top Section |
| 4 | Hinge Section |
| 1 | Hand winch |
| 1 | Base Section |
| 1 | DT 34/3-150 (50 x 3mm tube) |
| 2 | Transport Wheels |

Kg ↓ Loading Capacity
500kg

H ↑ max. height
6,5m*

TECHNICAL DATA

Weight: 100kg
 min. Height: 1,77m
 Loading Capacity: 500kg
 Base (extended) Ø: 2510mm

Tube diameter: 50mmx3mm (2 x 0.12 inch)
 Cross brace diameter: 25mmx3mm (1 x 0.12 inch)
 Alloy: Alloy EN-AW 6082 T6 (AlMgSi1 T6)

max. Height: 6,5m*

* you need additional 5m straight DT34/3 Truss elements, which are not included.