
12V AC 300VA IP65 TRANSFORMER
 Cod. 0321170011

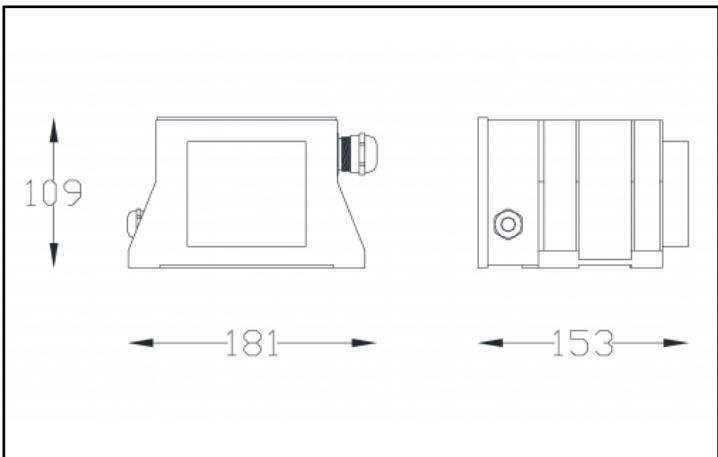
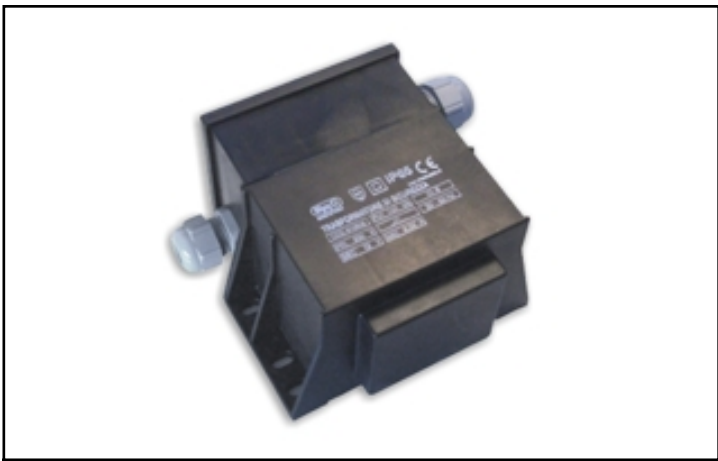
230V AC/12V AC IP65 Safety Transformer 300VA

ELECTRICAL DATA

Input	230 V AC
Output	12 V AC
Max power consumption	300 VA
Maximum recommended load	290 VA
Electrical protection-class	II

MECHANICAL DATA

Connection	Screw terminal block
Weight	4.1 kg
Protection rate	IP65
Ambient temperature	+35°C







CEI EN 61558 1 - CEI EN 61558 2/6