



**12V AC 100VA IP65
TRANSFORMER**
Cod. 0316170011

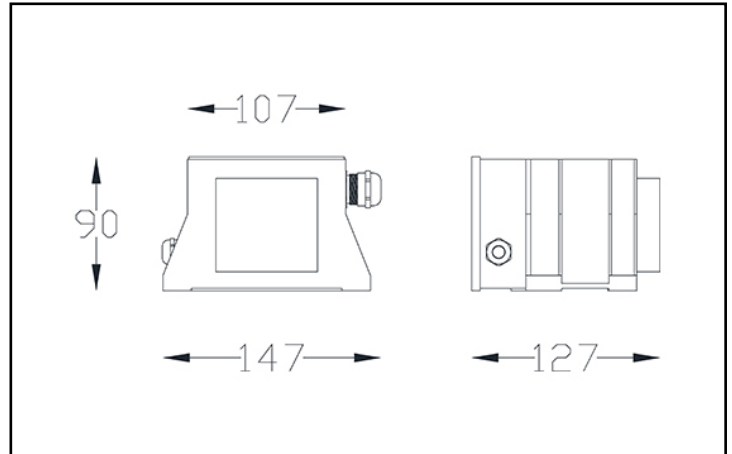
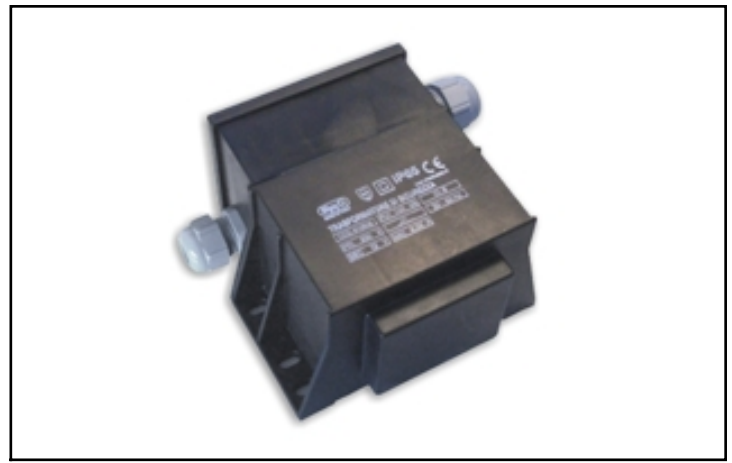
230V AC/12V AC IP65 Safety Transformer 100VA

ELECTRICAL DATA

<i>Input</i>	230 V AC
<i>Output</i>	12 V AC
<i>Max power consumption</i>	125 VA
<i>Maximum recommended load</i>	100 VA
<i>Electrical protection-class</i>	II

MECHANICAL DATA

<i>Connection</i>	Screw terminal block
<i>Weight</i>	2.5 kg
<i>Protection rate</i>	IP65
<i>Ambient temperature</i>	+35°C



CEI EN 61558 1 - CEI EN 61558 2/6