

## Application

Beam style	variable-spread, soft-edged beam
Suitable for	theatres, TV studios, architectural and commercial applications
Specification level	professional range
Beam angle	12°- 50°
Typical throw distance	2 – 10m

## Electrical specifications

Light source	89W LED, white
Supply Volts	100/260V AC single phase
Frequency / Current	50/60Hz – 0.3A
Power consumption	100W at full power
Cable/connection	Neutrik powercon IN and OUT
Standards Compliance	EN60598-2-17, CE marked

## Mechanical specifications

Lamp House Construction	extruded aluminium and sheet steel
Mounting & suspension	steel stirrup 12mm centre hole + DIN mounting.
Handle	rear
Weight/Packed weight	5,9 kg / 7,10kg
Colour frame + safety guard	metal, 150 x 150mm, supplied

## Operational specifications

Focus adjustment	screw focus with control at rear
Beam Shaping	using barndoor accessory
DMX channels / connection	1 to 4 / XLR5 connectors, IN/OUT
Dimmer module	PWM (Pulse Width Modulation), 8 or 16 bits
Dimming	manual, from rear panel or remote, through control desk via DMX signal
LED temperature	built-in sensor for real time monitoring
Ambient temperature	35°C max.
Fan speed control	automatically set and controlled
Fade curves	4 curves (linear, square, LED-HAL, User 1)
LED Frequency	LED frequency controls for TV cameras ranging from 3KHz to 460Hz. Manually selectable from rear panel or remotely controlled through DMX

## Optical specifications

Optical system	120mm diameter Fresnel lens
LED array	89W, white, round-shaped, replaceable
Rated LED life	25,000 hours at 25°C
Beam colour temperature	3200K or 5600K
CRI (Colour Rendering Index)	>90

## Accessories

Spare metal colour frame	■ 20100103 □ 20100103B □ 20100103C
Safety guard	■ 20100203 □ 20100203B □ 20100203C
4-leaf barndoor	■ 20100301 □ 20100301B □ 20100301C
Hook clamp	20100900 Safety bond 20101300

## Photometric data

Spot	3200K									
Beam dia.	0.4	0.6	0.8	1.1	1.3	1.5	1.7	1.9	2.1	m
lux	9625	4277	2406	1540	1069	784	597	472	375	
Distance	2	3	4	5	6	7	8	9	10	m

Flood											
Beam dia.	1.9	2.8	3.7	4.7	5.6	6.5					m
lux	2470	1100	613	390	275	204					
Distance	2	3	4	5	6	7					m

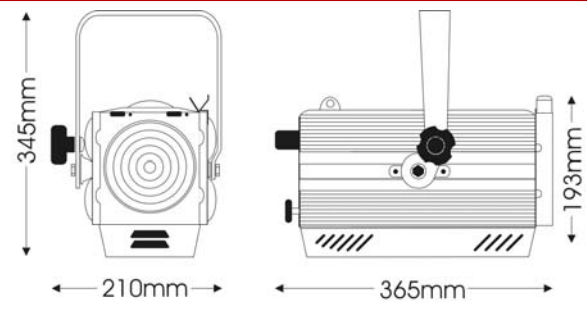
Spot	5600K									
Beam dia.	0.4	0.6	0.8	1.1	1.3	1.5	1.7	1.9	2.1	m
lux	14716	6539	3678	2354	1635	1201	920	727	589	
Distance	2	3	4	5	6	7	8	9	10	m

Flood											
Beam dia.	2.1	3.1	4.2	5.2	6.2	7.3					m
lux	3500	1556	875	560	389	286					
Distance	2	3	4	5	6	7					m

# cetra f100

100W, 100/260VAC, DMX512  
led fresnel luminaire

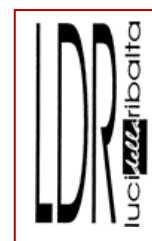
part # ■ 01101000 □ 01101001 □ 01101002 3200K  
part # ■ 01101100 □ 01101101 □ 01101102 5600K



Stylish, compact and extremely high efficiency 100W led fresnel luminaire featuring a PWM dimming power source.

Cetra is ideal in all those applications where heat and energy saving are a concern. Its attractive design makes it the obvious choice in shop displays, art displays and architectural applications where a theatrical-type luminaire is needed.

Cetra is available in 3200K and 5600K white light. A full range of accessories complements the range.



Distribuito da:  
Amlux srl  
Via Belgio 11/13  
46042 Castel Goffredo (MN), Italy  
info@amlux.it www.amlux.it

issue: ap ©2018. LDR reserves the right to alter the specification without prior notice.