

NI 400 LE 4K-TU

Order no.: 10007317

Description



Timer-igniters with
TriLogic technology

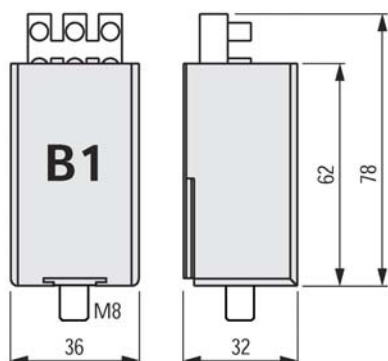
Digital circuit concept with integrated Micro-Controller for additional functionalities:

- **Interval-ignition:**
 Reliable ignition of the lamp via optimised sequences of ignition pulses for cold and warm lamps
- **Cycling-recognition:**
 Lamp monitoring for automatic recognition of lamp blinking operation, e. g. at the end of service life
- **Automatic switch-off:**
 Switch-off function to prevent further ignition trials when interval-ignition programme is finished, cycling is recognised or lamp is successfully ignited

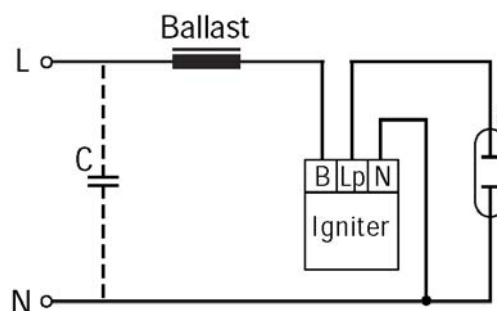
Technical data

Approved mains voltage	V	198...264
Approved mains frequency	Hz	50/60
Max. continuous lamp current	A	4.6
Connecting terminals	mm ²	4
Response / cut-out voltage	V	≤ 198 / ≥ 170
Ignition voltage	kV	3.5...5.0
Timer ignition time	s	≤ 1170
Phase position	°el	60...90 / 240...270
Pulses per cycle	--	≥ 6
Approved load capacity	pF	20...100
Internal losses at 25°C ambient temperature	W	< 3 (4.6 A) < 2 (3.0 A) < 1 (1.8 A)
Rise in temperature at 25°C ambient temperature	K	< 32 (4.6 A) < 15 (3.0 A) < 5 (1.8 A)
Max. housing temperature t _{c+x}	°C	105 + 0
Approved ambient temperature t _a	°C	- 30...+ 70 (4.6 A) - 30...+ 90 (3.0 A) - 30...+ 95 (1.8 A)
Weight	kg	0.15

Dimensions in mm



Wiring diagram



Lamps

HI:

- | | |
|----------|----------|
| HI 70 W | HI 100 W |
| HI 150 W | HI 250 W |
| HI 400 W | |

HI with ceramic burner:

- | | |
|-------------|-------------|
| HI-CE 35 W | HI-CE 70 W |
| HI-CE 100 W | HI-CE 150 W |
| HI-CE 250 W | HI-CE 400 W |

HS:

- | | |
|-------------------|----------|
| HST-DE 70 W Super | |
| HS 100 W | HS 150 W |
| HS 250 W | HS 400 W |

Compliances and markings

Conforms to:

- EN 61 347-1, EN 61 347-2-1
 EN 60 927
 UL 1029
 C22.2 no.74.1969

