

ACF-SW/DDR

Professional Doubledoor-rack for audio and light equipment.

Specification

- 7 mm strong wood
- Ball corners
- Butterfly latches (DDR4)
- Handles for transport
- Rubber feet
- Rails & Screws included - Mounting Depth: 44,3cm



1521000006

ACF-SW / DDR2



1521000007

ACF-SW / DDR3



1521000010

ACF-SW / DDR4

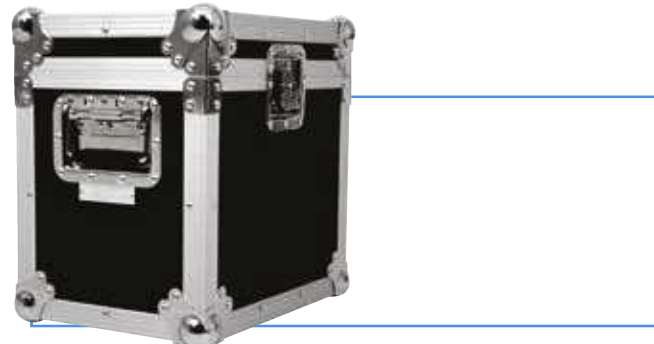


ACF-PW/ROAD CASE

Professional road case to protect your equipment and tools.
The ROAD CASE series is made from extra strong 9mm plywood.
Different sizes available.

Specification

- Foam coverage inside to protect equipment
- Solid 9mm plywood
- Strong aluminum profile
- Steel ball corners
- Strong handles on 2 sides
- Rubber feet



1531000012

ACF-PW / Road Case S: inner dimensions: 360 x 360 x 260 mm



1531000013

ACF-PW / Road Case M: inner dimensions: 550 x 350 x 390 mm



1531000014

ACF-PW / Road Case L: inner dimensions: 750 x 350 x 390 mm

