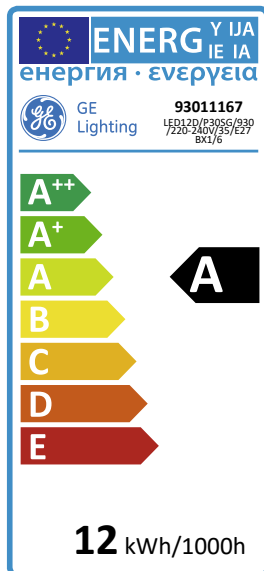




GE  
Lighting



12  
kWh/1000h

A  
energy class

62  
lumens/watt

## GE Precise™ PAR30 Dimmable

LED12D/P30SG/930/220-  
240V/35/E27BX1/6

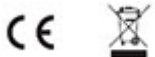
# 93011167

### Product information

Designed for retrofit replacement of incandescent PAR30 with maximised energy reduction. Light output and beam spread comparable to commercially available incandescent PAR30 lamps

### Application areas

- Retail
- Office
- Hospitality
- Home



## Product data

Product Code	93011167
Bulb Shape	PAR
Bulb Finish	Silver
Bulb Diameter [mm]	93
Bulb maximum overall diameter [mm]	93
Maximum Overall Length [mm]	97
Net weight per piece [g]	230
Gross weight per piece [g]	407
Brand	General Electric (GE)
Cap/Base	E27

## Performance data

Nominal/ Rated Beam Angle [°]	35
Nominal/ Rated Beam Angle (°)	35
Colour consistency	6 steps
Nominal center beam candlepower (CBCP) [cd]	2300
Rated peak intensity in [Cd]	2300
Weighted energy consumption [kWh/1000h]	12
Nominal useful lumens [lm]	780
Useful lumens (at 90° cone) [lm]	740
Rated useful lumens [lm]	780
Energy efficiency class (EEC)	A
Rated life L70/B50 [h]	40000
Nominal correlated colour temperature (CCT) [K]	3000
Nominal lumens [lm]	740
Colour Rendering Index (CRI) [Ra]	90

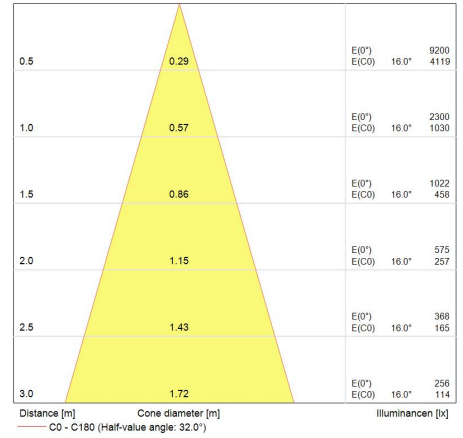
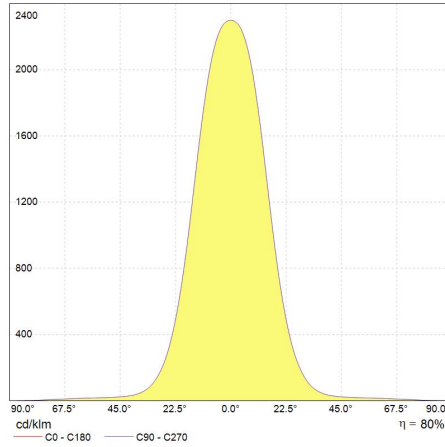
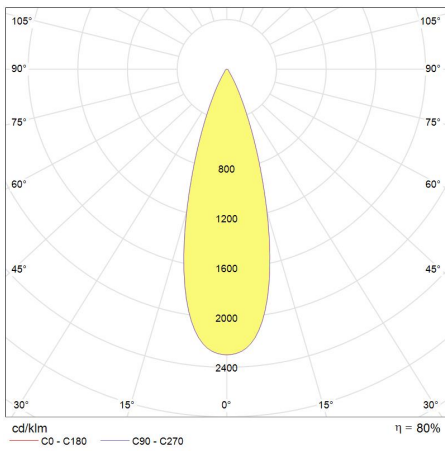
## Electrical data

Nominal lamp power factor...	0.8
Rated power [W]	12.0
Lamp Current [A]	0.15
Operating Temperature (MAX) [°C]	40
Run-up time (sec)	<1s
Starting time (sec)	<500ms
Power Factor	0.9
Number of switching cycles	40000
Dimming Capability	Yes
Nominal power [W]	12
Nominal lamp voltage [V]	230

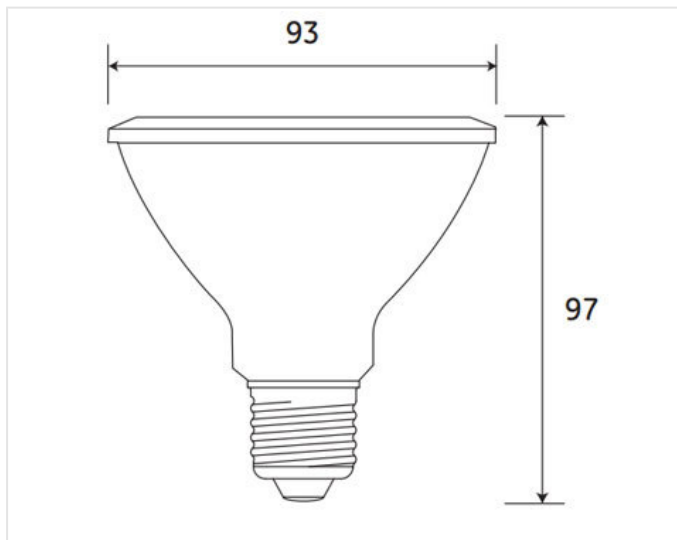
## Logistic data

DUN Code	10064894501446
EAN Code	0064894501449
Pack Quantity	6
Inner pack type	Box
Outer pack type	Outer Box
Layer quantity	66 EUR, 78 UK
Layer quantity EUR	66
Layer quantity UK	78
Pallet quantity EUR (PC)	462
Pallet quantity UK (PC)	546
Outer case size	334 x 223 x 143 (mm)
Product status	Available

## Photometric Data



## Technical drawing



## Downloads & Links

[Go to the catalog site \(HTTP\)](#)

[Product datasheet \(PDF\)](#)

[Photometry \(IES\)](#)

[High-resolution image \(JPG\)](#)

[Dimming compatibility \(HTTP\)](#)

[LED Lighting Solutions - Catalogue \(EN\) \(PDF\)](#)

[LED PAR30 10W Dimmable Datasheet \(PDF\)](#)

[Lighting design tools & calculators \(HTTP\)](#)

[Dimming compatibility \(HTTP\)](#)

[Datasheets \(HTTP\)](#)

[Images \(HTTP\)](#)

[Certificate for the Quality Management System of GE Lighting EMEA \(PDF\)](#)

[Certificate for the Environmental Management System of GE Lighting EMEA \(PDF\)](#)