

HTC 400-241

SUPRATEC HTC/HTT | Ultraviolet lamps

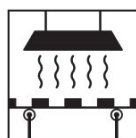


Areas of application

- Curing large areas of plastic
- Drying paint and varnishes
- Glue curing
- Exposure of diazo film material and print masters
- Artificial material aging
- Fluorescence excitation (with black glass filters)
- Curing large areas of plastic

Product features

- SUPRATEC UV high pressure lamps for technical applications



Product datasheet

Technical data

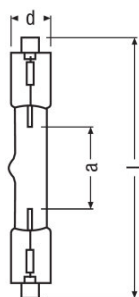
Electrical data

Nominal voltage	230 V
Construction voltage	230.00 V
Nominal wattage	460.00 W

Photometrical data

Radiated power 315...400 nm (UVA)	82 W
Radiated power 280...315 nm (UVB)	12.0 W

Dimensions & weight



Diameter	14.0 mm
Length	104.0 mm
Light center length (LCL)	33.0 mm
Arc length	33.0 mm

Lifespan

Lifespan	1000 h
----------	--------

Additional product data

Base (standard designation)	R7s
-----------------------------	-----

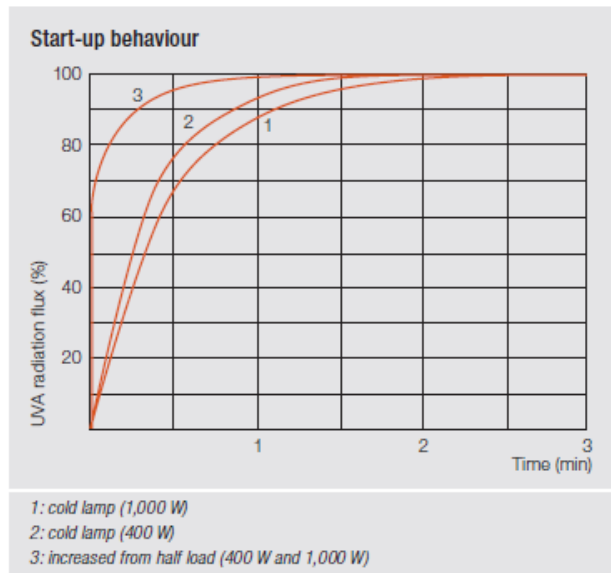
Capabilities

Burning position	≤180
------------------	------

Country specific categorizations

Order reference	SUPRATEC HTC 40
-----------------	-----------------

Operating notes.



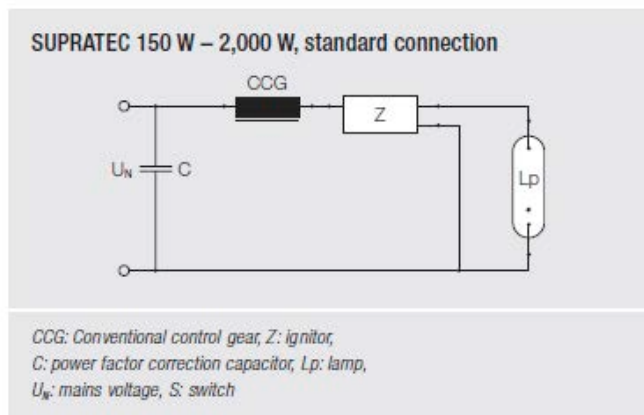
Operating temperatures

The following limit operating temperatures must be observed for SUPRATEC lamps:

- Pinched seal temperature: 350 °C.
- Bulb temperature: minimum 650 °C, maximum 950 °C.

The electrical and radiation data vary with the bulb temperature. The highest UV radiation flux is reached at a bulb temperature of 850 °C.

Control notes.



Product datasheet

Attention

SUPRATEC lamps emit UV radiation of high intensity which can cause sunburn and conjunctivitis. Skin or eyes must not be exposed to direct or reflected unfiltered radiation! Operate in closed fixtures only.

Logistical Data

Product code	Product description	Packaging unit (Pieces/Unit)	Dimensions (length x width x height)	Volume	Gross weight
4008321694676	HTC 400-241	Folding carton box 1	113 mm x 29 mm x 33 mm	0.11 dm ³	30.00 g
4008321694683	HTC 400-241	Shipping carton box 25	180 mm x 130 mm x 180 mm	4.21 dm ³	819.00 g

The mentioned product code describes the smallest quantity unit which can be ordered. One shipping unit can contain one or more single products. When placing an order, for the quantity please enter single or multiples of a shipping unit.

Disclaimer

Subject to change without notice. Errors and omission excepted. Always make sure to use the most recent release.