



MASTER CityWhite CDO-TT

MASTER CityWhite CDO-TT Plus 70W/828 E27

Ceramic metal halide lamp with clear tubular outer bulb shape, used in outdoor offering pleasant white light

Product data

General Information	
Cap-Base	E27 [E27]
Operating Position	UNIVERSAL [Any or Universal (U)]
Life to 5% Failures (Nom)	9500 h
Life to 10% Failures (Nom)	12000 h
Life to 20% Failures (Nom)	16500 h
Life to 50% Failures (Nom)	27000 h
LSF 2000 h Rated	99 %
LSF 4000 h Rated	99 %
LSF 6000 h Rated	98 %
LSF 8000 h Rated	96 %
LSF 12000 h Rated	90 %
LSF 16000 h Rated	81 %
LSF 20000 h Rated	71 %
Light Technical	
Color Code	828 [CCT of 2800K]
Luminous Flux (Rated) (Nom)	7500 lm
Color Designation	Warm White (WW)
Chromaticity Coordinate X (Nom)	446
Chromaticity Coordinate Y (Nom)	393
Correlated Color Temperature (Nom)	2800 K

Luminous Efficacy (Rated) (Nom)	103 lm/W
Color Rendering Index (Nom)	90
LLMF 2000 h Rated	97 %
LLMF 4000 h Rated	93 %
LLMF 6000 h Rated	89.5 %
LLMF 8000 h Rated	86 %
LLMF 12000 h Rated	80.5 %
LLMF 16000 h Rated	76.5 %
LLMF 20000 h Rated	73.5 %
Ratio Scotopic/Photopic Lumens	1.30

Operating and Electrical	
Power (Rated) (Nom)	73.0 W
Lamp Current Run-Up (Max)	2 A
Lamp Current (EM) (Nom)	0.95 A
Ignition Peak Voltage (Max)	2500 V
Ignition Supply Voltage (Min)	198 V
Re-Ignition Time (Min) (Max)	720 s
Ignition Time (Max)	30 s
Voltage (Max)	101 V
Voltage (Min)	85 V

MASTER CityWhite CDO-TT

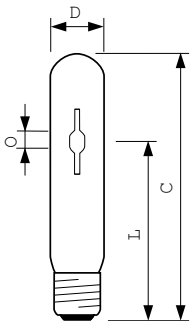
Voltage (Nom)	93 V
Controls and Dimming	
Dimmable	Yes
Run-Up Time 90% (Max)	3 min
Mechanical and Housing	
Bulb Finish	Clear
Approval and Application	
Energy Efficiency Label (EEL)	A+
Mercury (Hg) Content (Nom)	7.8 mg
Energy Consumption kWh/1000 h	80 kWh
UV	
Pet (Niosh) (Min)	8 h/500lx

Luminaire Design Requirements	
Bulb Temperature (Max)	350 °C
Cap-Base Temperature (Max)	200 °C
Product Data	
Full product code	871829112030800
Order product name	MASTER CityWhite CDO-TT Plus 70W/828 E27
EAN/UPC - Product	8718291120308
Order code	928082019235
Numerator - Quantity Per Pack	1
Numerator - Packs per outer box	12
Material Nr. (12NC)	928082019235
Net Weight (Piece)	0.048 kg
ILCOS Code	MT-70/828-H-E27-39/156

Warnings and Safety

- Use only in totally enclosed luminaire, even during testing (IEC61167, IEC 62035, IEC60598)
- The luminaire must be able to contain hot lamp parts if the lamp ruptures
- Lamps may use electromagnetic control gear or electronic gear suitable to drive CDO lamps (e.g. HID-PV Xt CDO)
- Control gear must include end-of-life protection (IEC61167, IEC 62035)
- Warm restart time can be up to 15 minutes; T15 ignitors therefore advised
- A lamp breaking is extremely unlikely to have any impact on your health. If a lamp breaks, ventilate the room for 30 minutes and remove the parts, preferably with gloves. Put them in a sealed plastic bag and take it to your local waste facilities for recycling. Do not use a vacuum cleaner.

Dimensional drawing

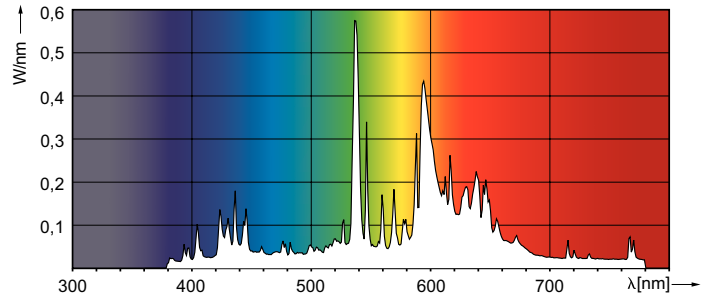
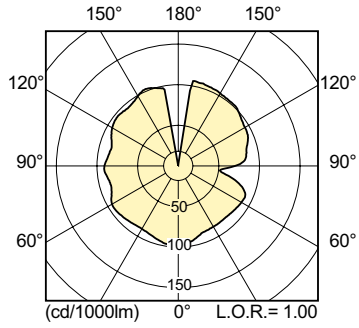


CDO-TT Plus 70W/828 E27

Product	D (max)	O	L	C (max)
MASTER CityWhite CDO-TT Plus 70W/828 E27	36 mm	7.15 mm	102 mm	156 mm

MASTER CityWhite CDO-TT

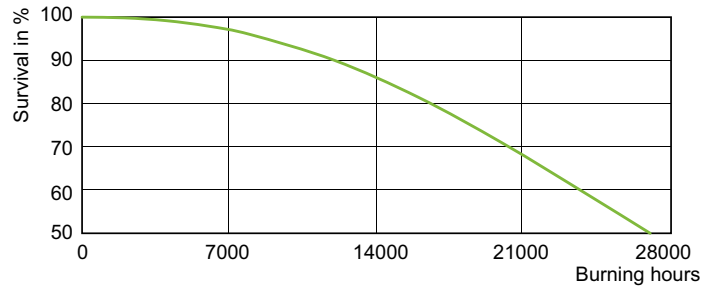
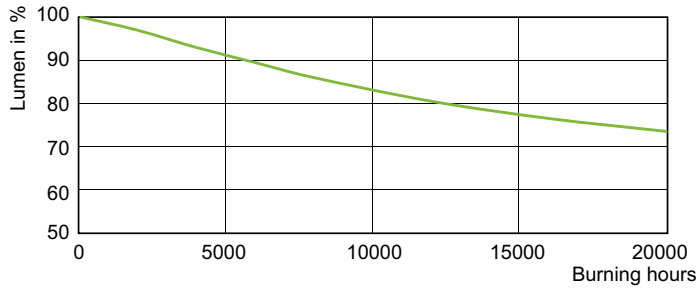
Photometric data



CDO-TT Plus 70W /828 E27

MASTER CityWhite CDO-TT Plus /828

Lifetime



CDO-TT Plus 70W Life Expectancy

