

FN LED TV 200 NW DMX

Luminaire: Fresnel, LED TV, 200W, NW
zoom 14°-63°, 4000K, DMX control



Type

Green line

Family

Fresnel

Source

LED Natural White

Power

200W

Control

DMX-RDM

Colour temperature

4000K

Cri

>90

Connectors

Powercon® In&Out

Voltage

90-260V, 50-60Hz

Pack sizes

385mm x 549mm x 341mm

0.072m³

DWG

Available on website

Technical features

- Aluminum housing for high heat dissipation by natural ventilation
- Adjustable forced ventilation
- Filter frame lockable top cover
- Yoke with clutch-locking system
- Adjustable yoke for fixture balancing
- PO version on request, with 3-way pole operation for tilt, pan and focus
- ARC version on request, with 3-way DMX control of tilt, pan and focus

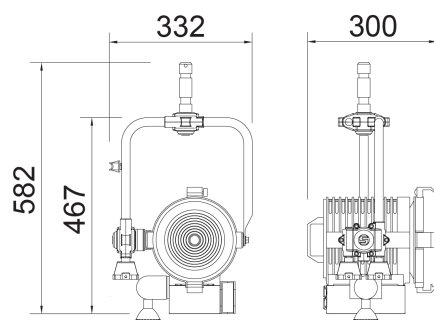
Functional features

- LED temperature range control to guarantee the best performances
- Constant colour temperature during the whole dimming curve
- Silent mode function
- Zero to Full dimming with pre-loaded dimming curves
- Flicker-free mode with adjustable PWM LED frequency for best use with cameras
- Strobe function with adjustable frequency
- Master/Slave mode
- Remote controllable functions via DMX-RDM
- 8/16 bit control mode on all channels
- Cooling system with high performance heat pipes

Green line advantages

- No dangerous UV or IR rays for the safe lighting of the people and objects
- No radioactive or mercury-based components
- Nearly 75% saving on mains power consumption if compared to an equally-performing conventional fixture
- Reduced installation and cabling costs thanks to the In&Out chain connection system both for power mains and DMX/DALI data control
- Savings on running costs thanks to the extended lifespan of the LED source compared to the periodical replacement of conventional bulbs
- Savings on the air-con setup and supply, thanks to the lower heat emission of the fixtures
- No maintenance costs for the replacement of colour filters due to overheating and damage

Sizes (in mm)



Accessories

DOU-00001513

FUNE

HC/075

PL 4 FNTV S

PO/2 FNTV S

TC FNTV S

Acc: Safety net with spring hook

Acc: Half swivel coupler 75kg max

Acc: 4-door bamdoors

Yoke: Pole Operated for Pan-Tilt

Acc: Colour frame


SPOTLIGHT
professional lighting for the performing arts