

Product Specifications

Robust, high quality yet affordable followspot stand. Heavy duty model. It features 2 sections, 1 sleeve and a position retaining ring (memory collar). Maximum aperture 1070mm, minimum height 900mm, maximum height 1500mm. Net weight 7,0kg, maximum load 46 kg.

Mechanical data

Paint/Finish	black epoxy powder paint
Maximum load	45 kg
Weight	7 kg
Body	Steel tubing, aluminium legs, die-cast headset
Locking knobs	strong grip nylon locking knobs
Key features	anti-slip aluminium feet

Applications

Thanks to its construction this stand can be used with any type of followspot. Its black finish makes it also ideal in all those applications where reflections from chrome plated metal can represent a problem

Packing

Each stand is supplied in single, robust cardboard packing.

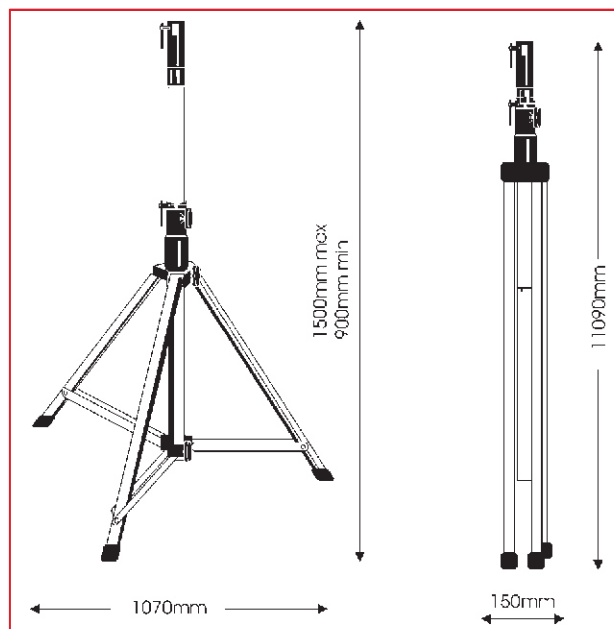
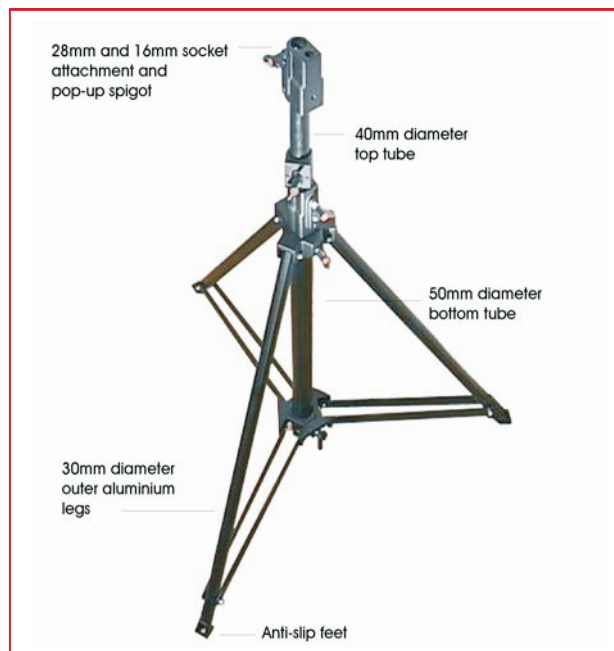
Packed weight	7,8 kg
Packed volume	0,028 cbm
Pcking dimensions	160x160x1120mm

Accessories

Spigot	20102200
Set of wheels	20202401

Black followspot stand

part number 20102401



Distribuito da:

AMLUX srl
Via Belgio 11/13
46042 Castel Goffredo (MN), Italy
tel: +39 0376 781094
fax: +39 0376 781095

www.amux.it info@amlux.it