

## Mechanical specifications

Construction	sturdy aluminium housing
Paint/Finish	black epoxy powder paint
Rear mounting plate	313x313mm – 12,32X12,32in, included
Barndoor slots	4, to accept a 313x313mm / 12,32x12,32in plate
Safety cable	black, 60cm / 23 5/8in, supplied with the scroller
Front opening dimensions	ø270mm – 10,62in

## Electrical specifications

DC power input	24 V DC
Power consumption	13W
Current requirement	0,7 amps (24V DC)

## Operational specifications

Gel string capacity	8, 11,16 and 21 frames. At power on the unit automatically detects the number of frames mounted
Gel string movement	step or continuous mode; the scroll speed can be set on the unit or remotely using the optional Speed channel.
Scroll speed	min. 3,2 sec (head to tail, 21 frames)
Gel string cooling system	double fan with 5 preset variable speeds or remotely controlled using a dedicated channel
Motor	2 DC servo motors directly fixed to the rollers (NO GEAR BOX)
DMX/Power in	XLR 4-pin male - DMX 512 and 24V DC power
DMX/Power out	XLR 4-pin female - DMX 512 and 24V DC power
Daisy chaining	up to 6 units per power distribution unit (PDU6)
LED status indicators	Red = power. Green = system, Yellow = signal
DMX channels	min. 1, up to 4 more channels required if remote selection of Reset, Scroll Speed, Fan Speed or Operational Modes are used.
Operational modes	continuous or step, selectable by pressing the UP and DOWN buttons
Head + tail colour filter size	706mm (W) x 281mm (H) – 27,79in (W) x 11,06in (H)
Central frames col. filter size	416mm (W) x 281mm (H) – 16,37in (W) x 11,06in (H)
DMX power/control cable	not supplied. High quality shielded twist pair type cable with XLR-4 pin connectors are accessories
Net/packed weight	3,4 kg / 4,0 kg - 7,50lb / 8,82lb
Packed volume	0.02m <sup>3</sup> - 0,07in <sup>3</sup>

## Accessories

20106260	PDU 6M power distrib. unit for up to 6/8 scrollers. DMX/RDM		
20106020	PDU 1 power distrib. unit for 1 scroller, DMX		
20106024	PDU 24 power distrib. unit for up to 24 scrollers, DMX		
20600007	mounting plate 245x245mm - 9,64x9,64in		
20100326	4-leaf barndoor, aluminium		
20620026	21-frame spare gel string, LEE, standard sequence		
20621026	21-frame spare gel string, LEE, special sequence		
20610003	DMX XLR-4pin cable 3m	20610015	DMX XLR-4pin cable 15m
20610005	DMX XLR-4pin cable 5m	20610020	DMX XLR-4pin cable 20m
20610010	DMX XLR-4pin cable 10m	20610025	DMX XLR-4pin cable 25m

\* custom mounting plates, gel strings and cables are available on request

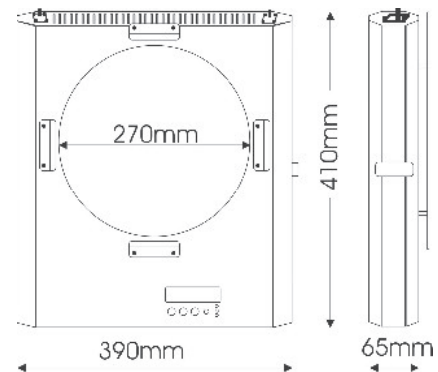
standard gel string, 21 LEE colours, pre-loaded and supplied with the scroller

1	130 Clear		12	113 Magenta	
2	256 Half Hampshire Frost		13	026 Bright Red	
3	152 Pale Gold		14	192 Flesh Pink	
4	176 Loving Amber		15	126 Mauve	
5	020 Medium Amber		16	115 Peacock Blue	
6	104 Deep Amber		17	117 Steel Blue,	
7	103 Straw		18	089 Moss Green	
8	101 Yellow		19	119 Dark Blue	
9	179 Chrome Orange		20	181 Congo Blue	
10	128 Bright Pink		21	201 Full C.T. Blue	
11	048 Rose Purple				

# Xpress26 dmx/rdm

dmx/rdm controllable colour  
scroller

codice : 20106026



The Xpress 26, DMX515/RDM controllable scroller, is designed for use with those 2000W LDR fixtures featuring a 245x245mm/9.64x9.64 in colour frame or any luminaire with a front aperture up to 270mm (10.62 in).

The Xpress 26 is delivered with 21-colour LEE filter gel string, 313x313mm (12.32x12.32 in) rear mounting plate and steel safety cable. It also features 4 front attachments for a rotating barndoor, available as an optional accessory.

A large selection of standard and customized rear mounting plates is available on request.



**AMLUX srl**

Via Belgio, 11/13  
46042 Castel Goffredo (MN)  
Tel. +39 0376781094  
[www.amlux.it](http://www.amlux.it) - [info@amlux.it](mailto:info@amlux.it)