

Application

Beam style	asymmetric flood
Suitable for	architectural, display and retail areas
Specification level	professional range
Typical throw distance	2 - 5m

Electrical specifications

Supply Volts	230/240V AC single phase 50/60 Hz
Max. Lamp Watts	70W
Lamp base	Rx7s
Auto-disconnect	no
Cable/connection	1.5m, 3 x 1.5mm ² flexible cable to bare ends
PSU	electronic power supply unit
Power factor correction	0,95
Standards Compliance	EN60598-2-17, CE marked

Mechanical specifications

Paint/Finish	black/silver/white epoxy powder paint
Lamp House Construction	1-compartment, moulded steel-sheet
Reflector	asymmetrical, 99% pure aluminium
Mounting & suspension	steel stirrup with 12mm centre hole and DIN mounting holes
Weight/Packed weight	3,8kg / 5,5kg
Overall dimensions	340mm (w) x 105mm (d) x max 275mm(h)
Packed volume	0.069m ³
Filter cut size	244 x 195mm
Accessory runners	3 slots
Safety glass	included
Colour frame	metal, 244 x 195mm supplied
Lamp access	front access

Operational specifications

Positional adjustment	tilt lock on one side
-----------------------	-----------------------

Lamp types

70W	CDM-TD 70/830 Rx7S 3000K 15.000 hrs
70W	CDM-TD 70/942 Rx7S 4200K 15.000 hrs

LDR recommends Phillips lamps

Accessories

Lamps	see above
Spare metal colour frame	■ 20100120 □ 20100120B ■ 20100120C
Safety guard	20100220
Spare clear safety glass	20101420
4-leaf barndoor	■ 20100420 □ 20100420B ■ 20100420C □■ 20100420D ■ 20100420E
Hook clamp	20100900
Safety bond	20101300
Electrical adapter	see separate literature
Mechanical track adapter	see separate literature

Photometric data

CDM-TD 70

Horizontal

Beam dia.	3,1	4,7	6,2	7,8	9,4	11	12,5	14	m
lux	780	347	195	125	87	64	49	39	
Distance	2	3	4	5	6	7	8	9	m

Vertical

Beam dia.	1,9	2,8	3,7	4,7	5,6	6,5	7,5	8,4	m
lux	1050	467	263	168	117	86	66	52	
Distance	2	3	4	5	6	7	8	9	m

rima[®] A70

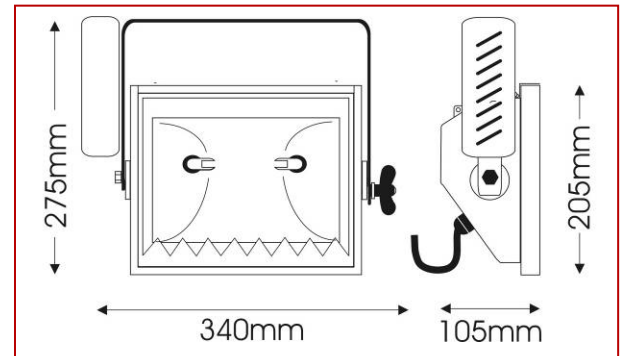
70W

discharge asymmetric floodlight

part number: ■ 10076050 □ 10076051 ■ 10076052



CE



Stylish and high specification 70W asymmetrical discharge floodlight, ideal for usage in all those architectural, display and retail areas applications where a powerful yet low consumption and long lasting beam of light is required.

The unit is supplied with an electronic ballast unit. A safety glass, a colour frame and 1.5m mains cable are included in standard delivery. Available to special order in any colour from the RAL range.

LDR
luci della ribalta

Distributed by
AMLUX s.r.l.
46042 Castel Goffredo (MN)
info@amlux.it - www.amlux.it