

Applications

Beam style	cool beam, flat field profile projector
Suitable for	architectural, display and retail areas
Specification level	professional range
Beam angle	20° - 40°
Typical throw distance	2-20 m

Electrical specifications

Supply volts	208/230/240V single phase
Max. lamp Watts	250W
Lamp-base	GY9.5
Ballast	built-in and power factor corrected
Cable/connection	1.5m, black flexible cable to bare ends 3 x 1.5mm ²
Standard compliance	EN60598-2-17, CE marked

Mechanical specifications

Paint/ Finish	black, white, silver epoxy power paint
Lamp house construction	extruded alluminium and sheet steel
Reflector	ø55mm,glass
Lens	double condenser with variable zoom
Mounting & Sospension	steel stirrup with 12 mmcentre hole and DIN mounting.
Rear handle	yes
Weight/ packed weight	11.8 kg / 13 kg
packed volume	0.058m ³
Filter cut size	150 x 150mm
Gobo size	M/D, metal
Rotating gate	yes, 4 for shutter
Accessory runners	3slots
Safety guards	optional accessory
Colour frame	metal, 150x150mm, supplied
Lamp access	removable top cover
Lens access	sliding panels beneath lamp tube

Operational specifications

Focus adjustment	slide zoom controls at side (dia. and softness)
Working position	max. tilting ±70° from horizontal
Beam Shaping	4 shutters included, iris is an accessory
Optional	level tilt clamp

Lamp type

6700K	Philips MSD 250 GY9.5 3000 hrs
8500K	Philips MSD 250/2 GY9.5 3000 hrs

LDR recommends Philips lamps

Accessories

Spare metal colour frame	■20100103 □20100103B ■20100103C
Gobo holder M/D size	20100801
iris diaphragm	20100707
Hock clamp	20100900 Alu-grip clamp 20101100
Safety bond	20101200

Photometric Data

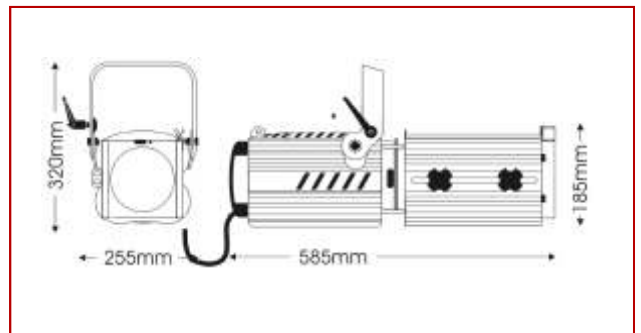
Narrow focus		Philips MSD 250/2									
BeamØ	0.7	1.1	1.4	1.8	2.1	2.8	3.5	4.2	4.9	m	
lux	11750	5222	2938	1880	1306	734	470	326	240		
Distance	2	3	4	5	6	8	10	12	14	m	

Wide focus											
BeamØ	1.5	2.2	2.9	3.6	4.4	5.1	5.8	6.6	7.3	m	
lux	8800	3911	2200	1408	978	718	550	435	352		
Distance	2	3	4	5	6	7	8	9	10	m	

SUONO[®] D 20/40

250W.208/230/240V discharge profile

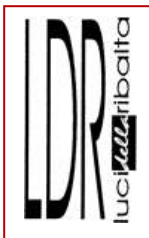
part number: ■ 10203030 □ 10203031 ■ 10203032



The wider-angle Suono D profile spotlight has a variable zoom focus from 20° to 40°, making it suitable for short-throw applications. The 250W MSD lamp produces a high-power 'daylight' beam which is popular for display, retail and architectural lighting.

Suono D20/40 is supplied with a built-in ballast, colour frame, 4 shutter blades and 1.5m mains cable.

Available to special order in any colour from the RAL range.



Distributed by:
AMLUX s.r.l.
Via Belgio, 11/13
46042 Castel Goffredo (MN), Italy
www.amlux.it info@amlux.it