

Applications

Beam style	cool beam, flat field profile projector
Suitable for	architectural, display and retail areas
Specification level	professional range
Beam angle	10° - 28°
Typical throw distance	2-15 m

Electrical specifications

Supply volts	230/240V AC single phase
Max. lamp Watts	150W
Lamp-base	G12
Ballast	built-in and power factor corrected
Cable/connection	1.5m, black flexible cable to bare ends 3 x 1.5mm ²
Standard compliance	EN60598-2-17, CE marked

Mechanical specifications

Paint/ Finish	black, white, silver epoxy power paint
Lamp house construction	extruded alluminium and sheet steel
Reflector	ø55mm, glass
Lens	double condenser with variable zoom
Mounting & Sospension	steel stirrup with 12 mm centre hole and DIN mounting.
Rear handle	yes
Weight/ packed weight	9 kg / 10.7 kg
packed volume	0.068m ³
Filter cut size	125 x 125mm
Gobo size	M/D, metal, glass, colour gel, trasparency
Rotating gate	yes, 4 for shutter
Accessory runners	3slots
Safety guards	included
Colour frame	metal, 125x125mm, supplied
Lamp access	top panel
Lens access	sliding panels on top of lamp and zoom tube

Operational specifications

Focus adjustment	slide focus with control underneath
Working position	max. tilting ±70° from horizontal
Beam Shaping	4 shutters, supplied + iris, accessory
Positional	single rim-clamp tilt lock

Lamp type

3000K	Philips 150W CDM-T 150/830 G12 9000 hrs
4200K	Philips 150W CDM-T 150/942 G12 9000 hrs
4200K	Philips 150W CDM-T SA 150/942 G12 12000 hrs

LDR recommends Philips lamps

Accessories

Spare metal colour frame	■ 20100102	□ 20100102B	■ 20100102C
Gobo holder M/D size	20100812		
iris diaphragm	20100701		
Hock clamp	20100900	Alu-grip clamp	20101100
Safety bond	20101200		

Photometric Data

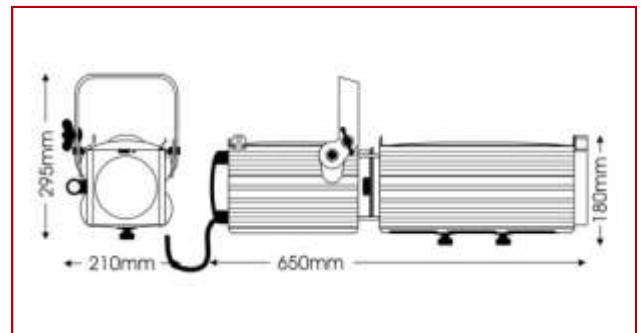
Narrow focus		CDM-T 150/942									
Beam Ø	1.2	1.4	1.6	1.7	1.9	2.1	2.3	2.4	2.6	m	
lux	800	613	484	392	324	272	232	200	174		
Distance	7	8	9	10	11	12	13	14	15	m	

Wide focus											
Beam Ø	1	1.5	2	2.5	3	3.5	4	4.5	5	m	
lux	2560	1138	640	410	284	209	160	126	102		
Distance	2	3	4	5	6	7	8	9	10	m	

SOFFIO[®] 10/28

150W discharge profile

part number: ■ 10153020 □ 10153021 ■ 10153022



The power of a compact 150W discharge lamp is harnessed by this stylish narrow-angle doublecondenser profile spotlight to project a crisp evenlydistributed beam for highlighting or projecting patterns or advertising logos for architectural and display applications.

The cool beam design enables a wide range of metal, dichroic and acetate gobos or slides to be used. Available to special order in any colour from the RAL range, Soffio profiles are supplied with a built-in ballast, colour frame, 4 shutter blades and 1.5m mains cable.



Distributed by:
AMLUX s.r.l.
Via Belgio, 11/13
46042 Castel Goffredo (MN), Italy
www.amlux.it info@amlux.it